

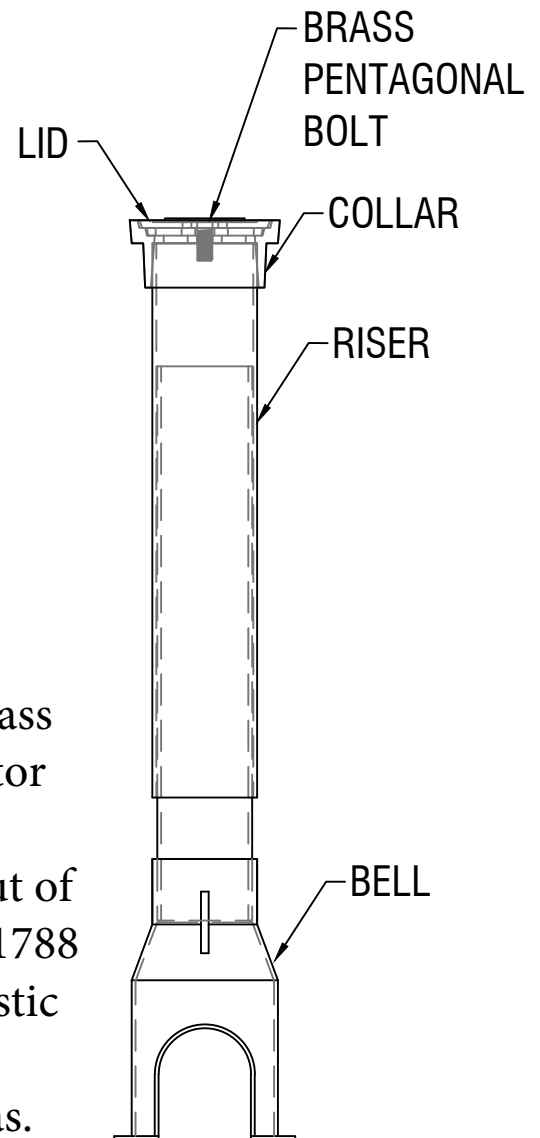


311 CURB BOX CAST IRON & PLASTIC ASSEMBLY

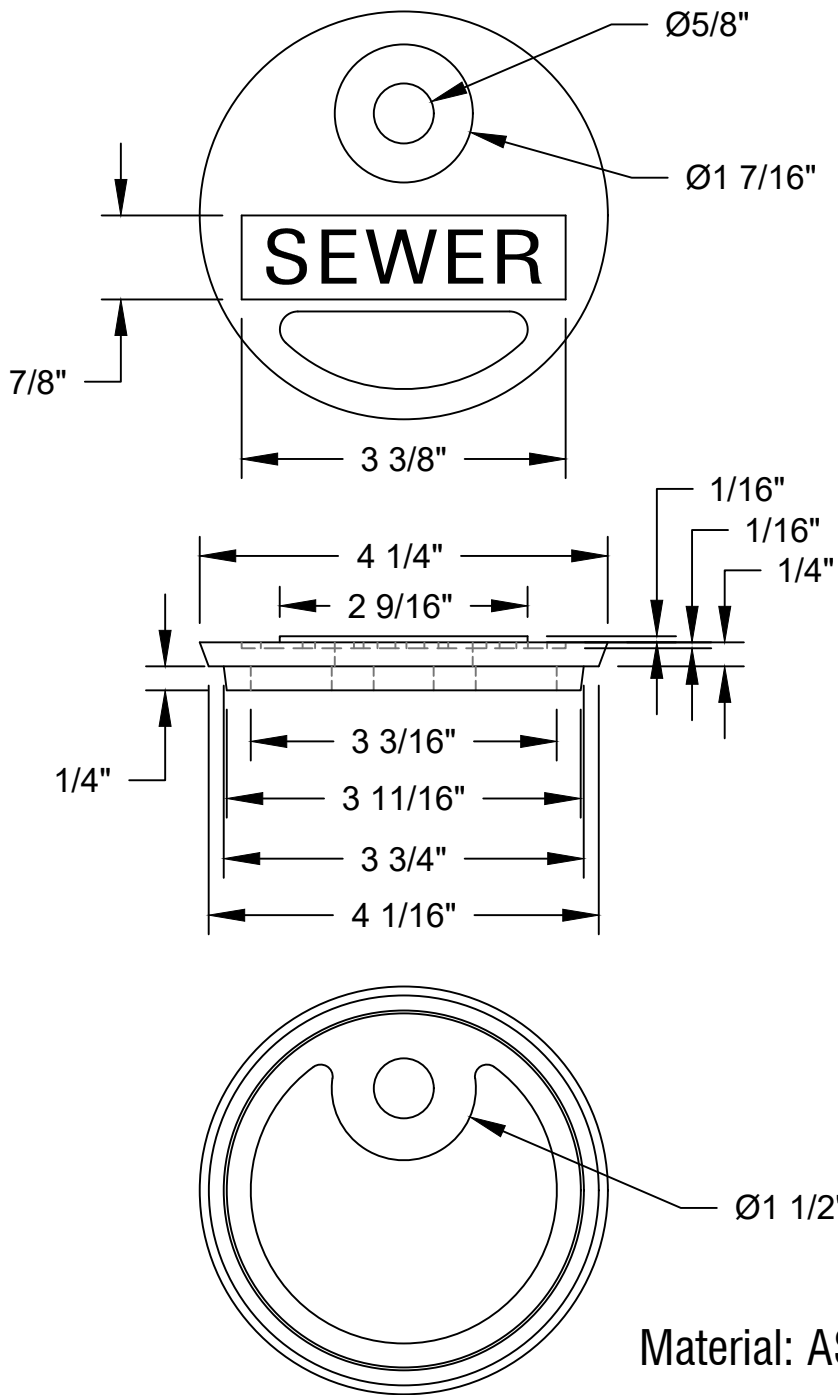
NOT TO SCALE

PART NUMBER	TOP SECTION	BOTTOM SECTION	EXTENSION RANGE
3111212PBSA	13"	19"	22" - 27"
3111818PBSA	19"	25"	30" - 42"
3112424PBSA	25"	31"	36" - 54"
3113030PBSA	31"	37"	42" - 66"
3113636PBSA	37"	43"	48" - 78"
3114848PBSA	49"	55"	60" - 102"

- Collar and lid material ASTM A408 class 30B easily detectable with metal detector
- Standard brass pentagonal bolt design
- Slip type riser design manufactured out of high grade ABS conforms to ASTM-D 1788
- High quality injected molded ABS plastic bells. Available in 3" & 4" arch.
- Lids available in Water, Sewer, and Gas.



CAST IRON & PLASTIC MANUFACTURING & SALES
3700 CLARKSTOWN ROAD
MUNCY, PA 17756
PHONE: (570) 546-2109



311 LID

NOT TO SCALE

Material: ASTM A48 Class 30B

OPTIONS: Available in SEWER, WATER, GAS, or plain lid.

CAST IRON & PLASTIC MANUFACTURING & SALES

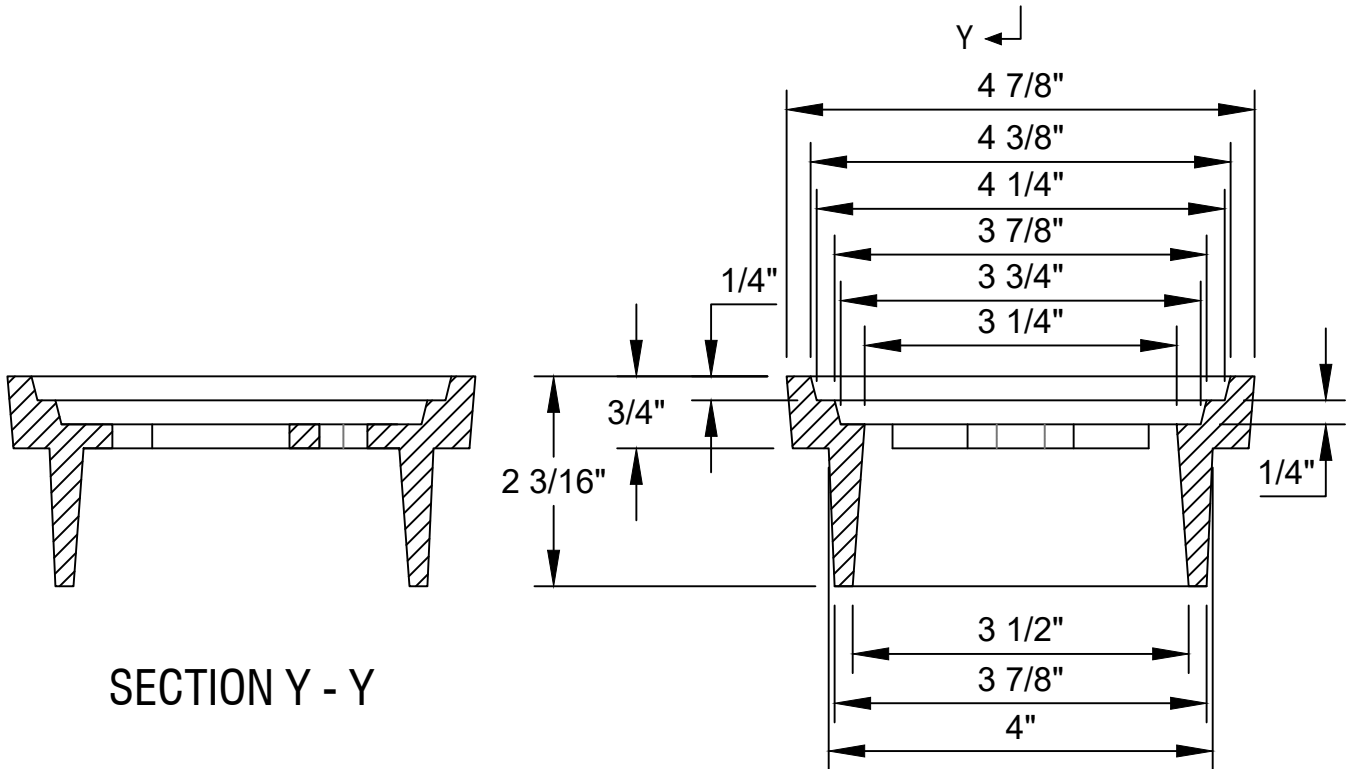
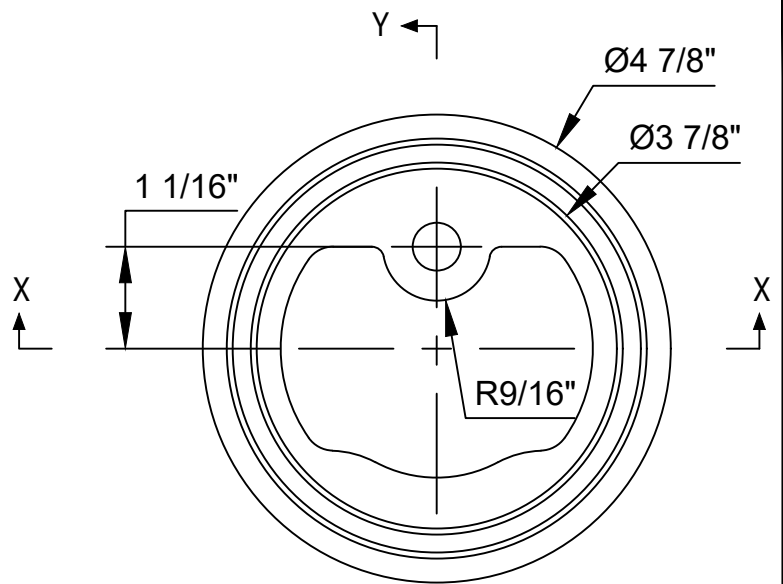
3700 CLARKSTOWN ROAD

MUNCY, PA 17756

PHONE: (570) 546-2109



Material: ASTM A48 Class 30B



SECTION Y - Y

SECTION X - X

311 COLLAR

NOT TO SCALE

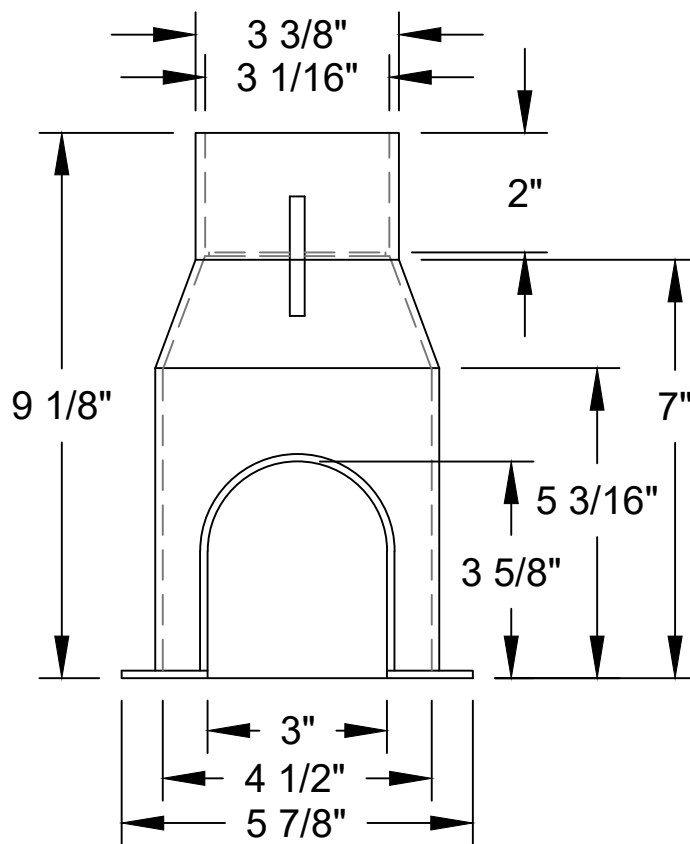
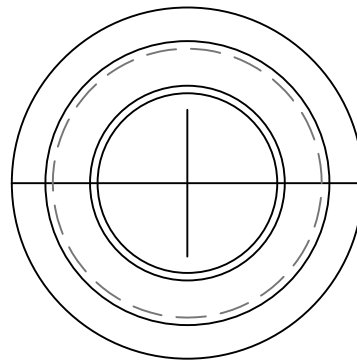
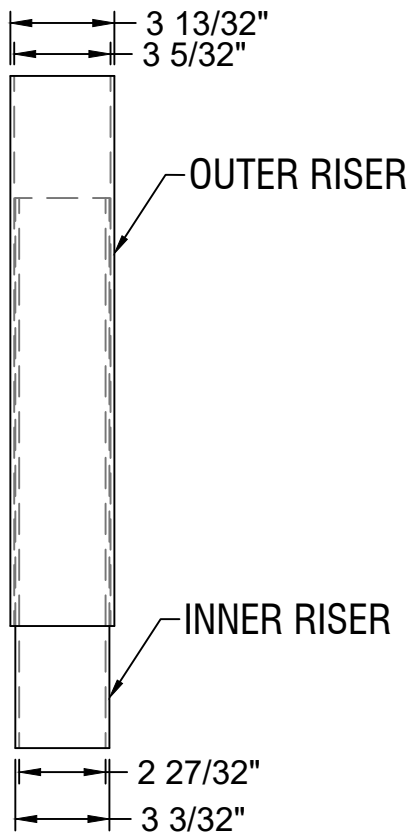
CAST IRON & PLASTIC MANUFACTURING & SALES

3700 CLARKSTOWN ROAD

MUNCY, PA 17756

PHONE: (570) 546-2109





311 RISER

NOT TO SCALE

Riser material: ABS pipe.

Bell material: ABS injection molded.

311 SA BELL

NOT TO SCALE

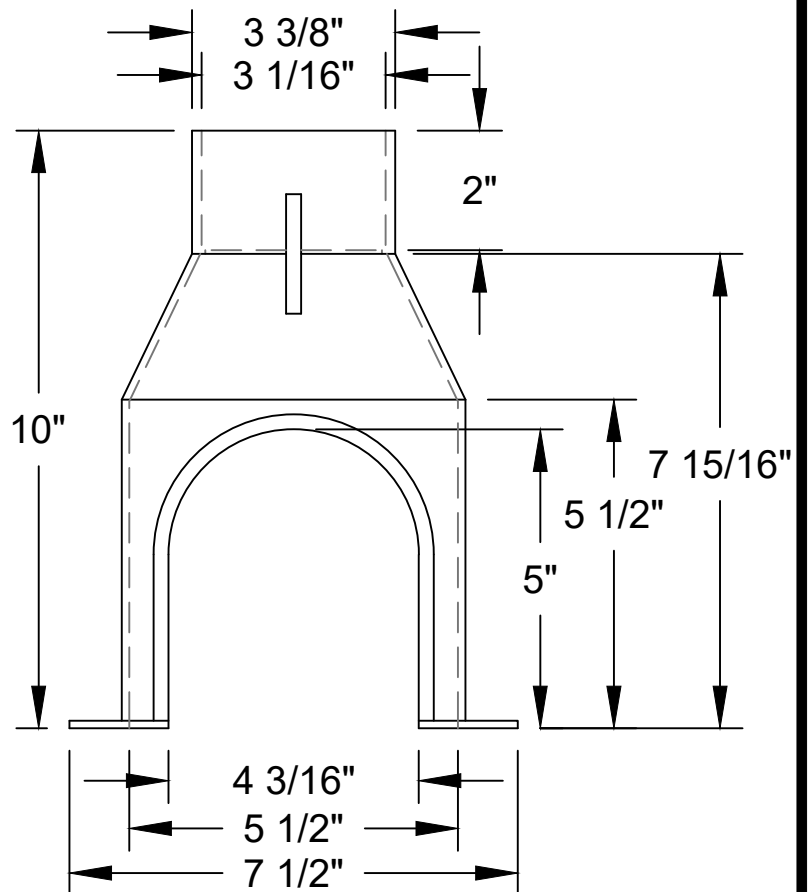
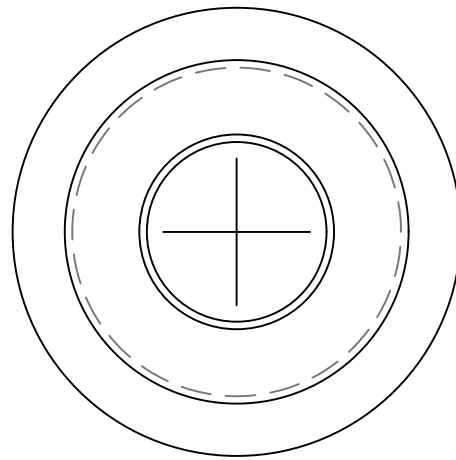
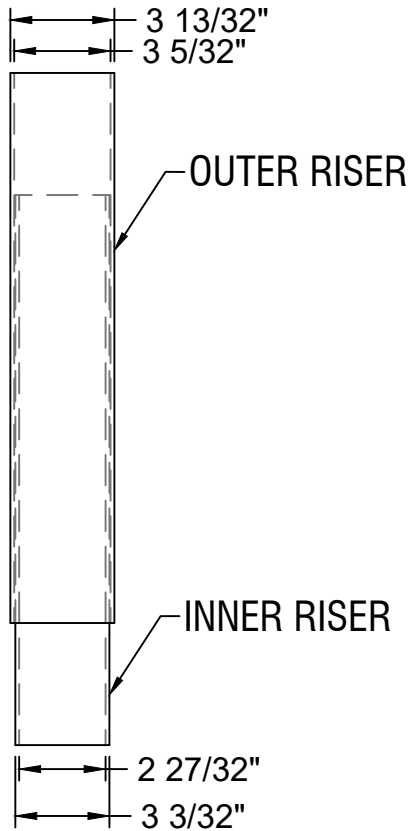
CAST IRON & PLASTIC MANUFACTURING & SALES

3700 CLARKSTOWN ROAD

MUNCY, PA 17756

PHONE: (570) 546-2109





311 RISER

NOT TO SCALE

Riser material: ABS pipe.

Bell material: ABS injection molded.

311 EA BELL

NOT TO SCALE

CAST IRON & PLASTIC MANUFACTURING & SALES

3700 CLARKSTOWN ROAD

MUNCY, PA 17756

PHONE: (570) 546-2109

