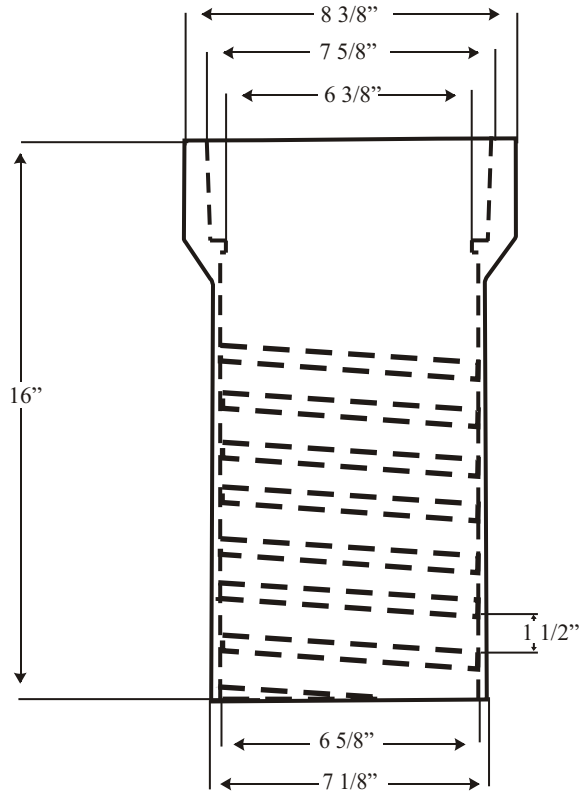
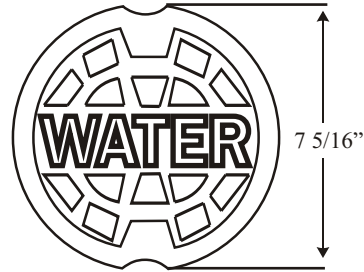


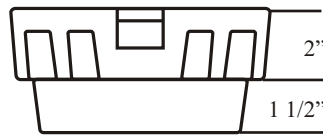
Top



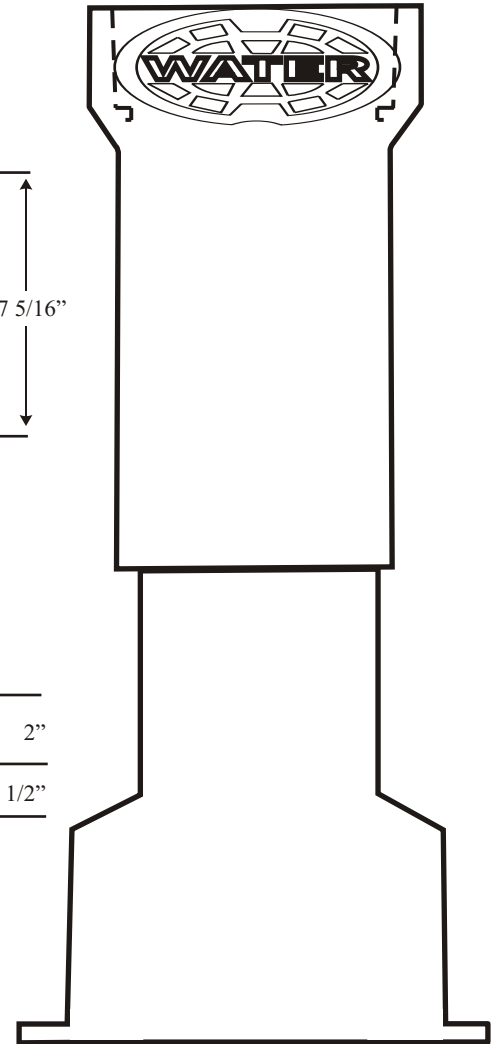
Lid Top View



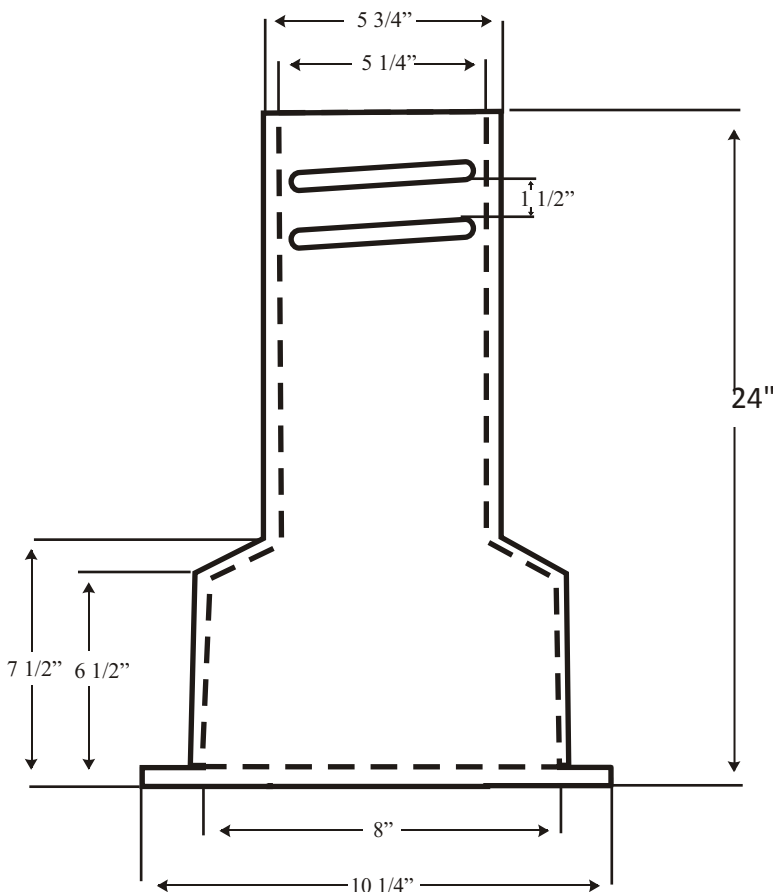
Lid Side View



Complete



Bottom



5 1/4" VALVE BOX
EXTENSION RANGE 27"-37"

ASTM specifications A-48 Class 30
Country of Origin: India

562SC



CAST IRON & PLASTIC MANUFACTURING & SALES

3700 CLARKSTOWN ROAD, MUNCY, PA 17756 PHONE 570-546-2109 WEBSITE: C&P MANUFACTURING.COM