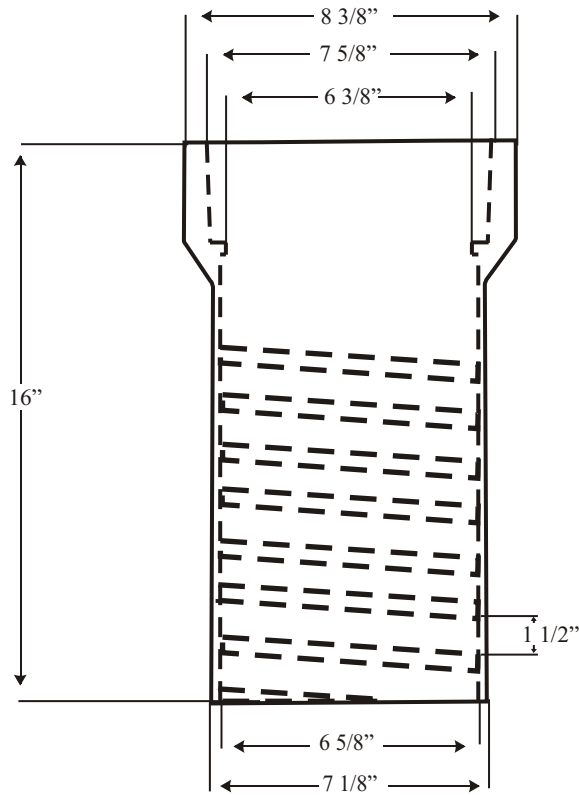
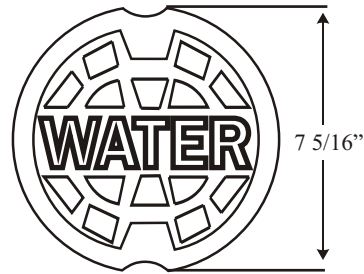


Top



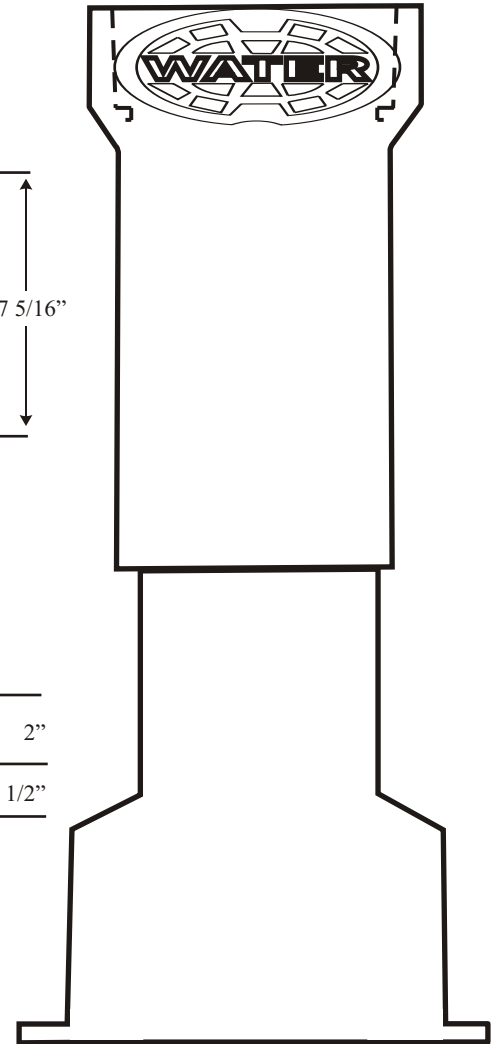
**Lid
Top View**



**Lid
Side View**



Complete



Bottom

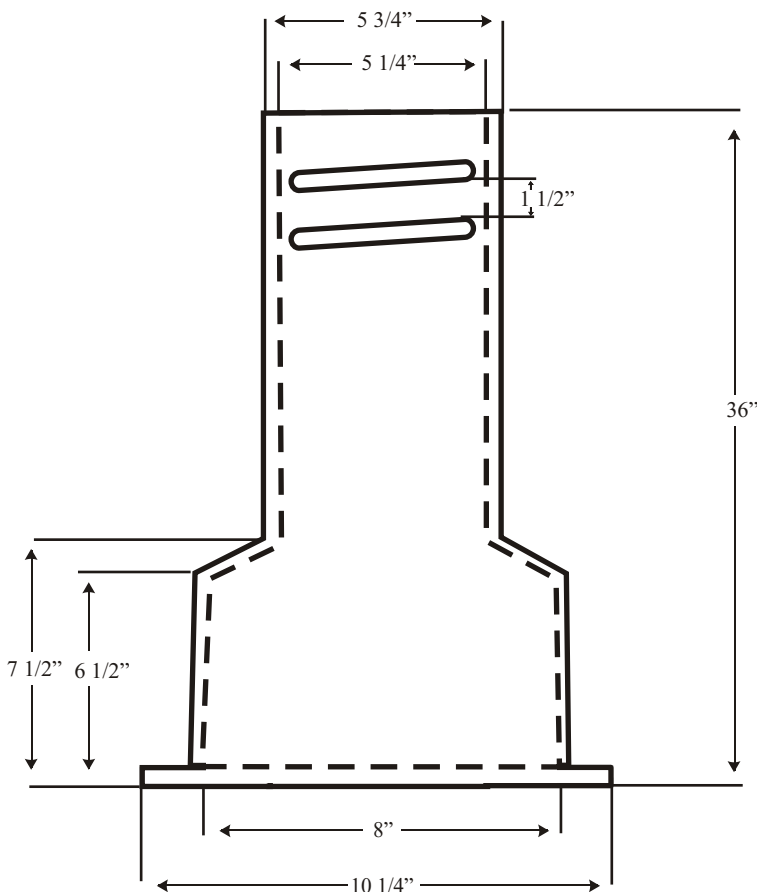


Figure # 564SC
5 1/4" Valve Box Complete
Extension Range 39" - 50"
Standard Pattern
Cast Iron Screw Type

Casting conforms to:
 ASTM specifications A-48 Class 30
 Country of Origin: India

564SC



CAST IRON & PLASTIC MANUFACTURING & SALES

3700 CLARKSTOWN ROAD, MUNCY, PA 17756 PHONE 570-546-2109 WEBSITE: CANDPMANUFACTURING.COM