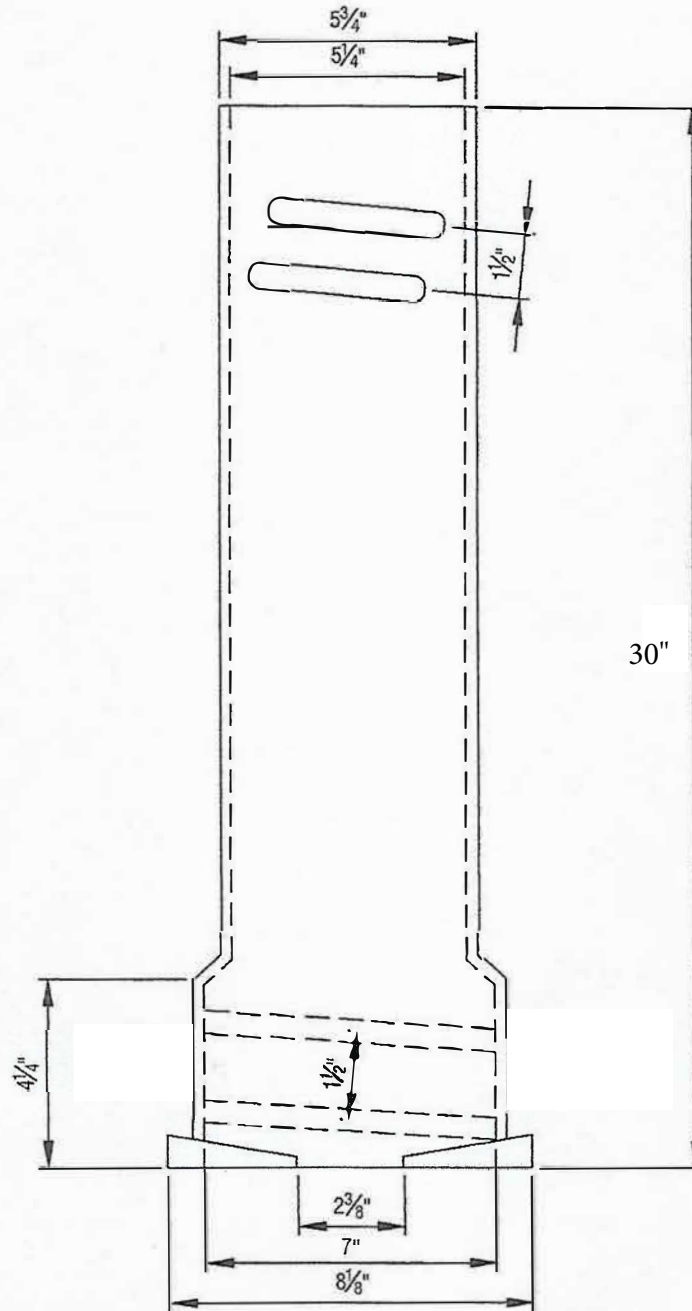


**5<sup>1</sup>/<sub>4</sub>" SCREW TYPE COMBINATION BOTTOM SECTION  
FOR BASE & MIDDLE EXTENSION 30" LONG**



MATERIAL :- ASTM A48 CLASS 30B

CB30



CAST IRON & PLASTIC MANUFACTURING & SALES

3700 CLARKSTOWN ROAD, MUNCY, PA 17756 PHONE 570-546-2109 WEBSITE: [CANDPMANUFACTURING.COM](http://CANDPMANUFACTURING.COM)