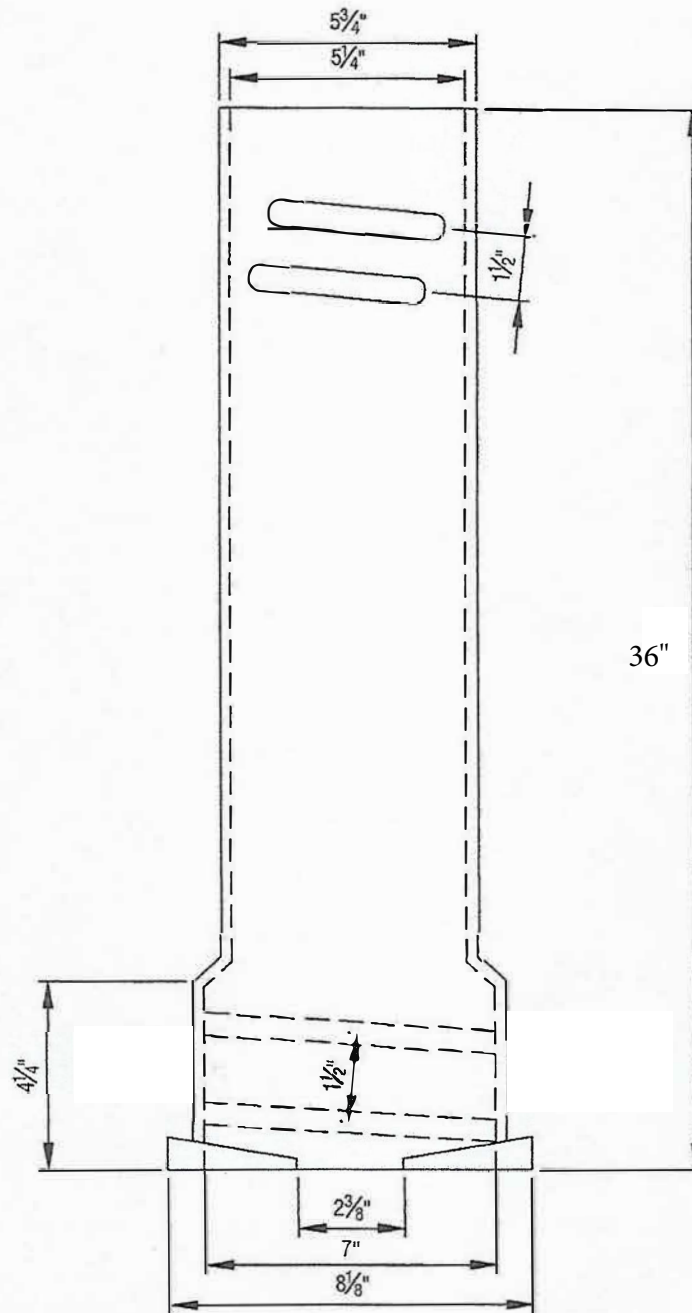


**5¹/₄" SCREW TYPE COMBINATION BOTTOM SECTION
FOR BASE & MIDDLE EXTENSION 36" LONG**



MATERIAL :- ASTM A48 CLASS 30B

CCB36

