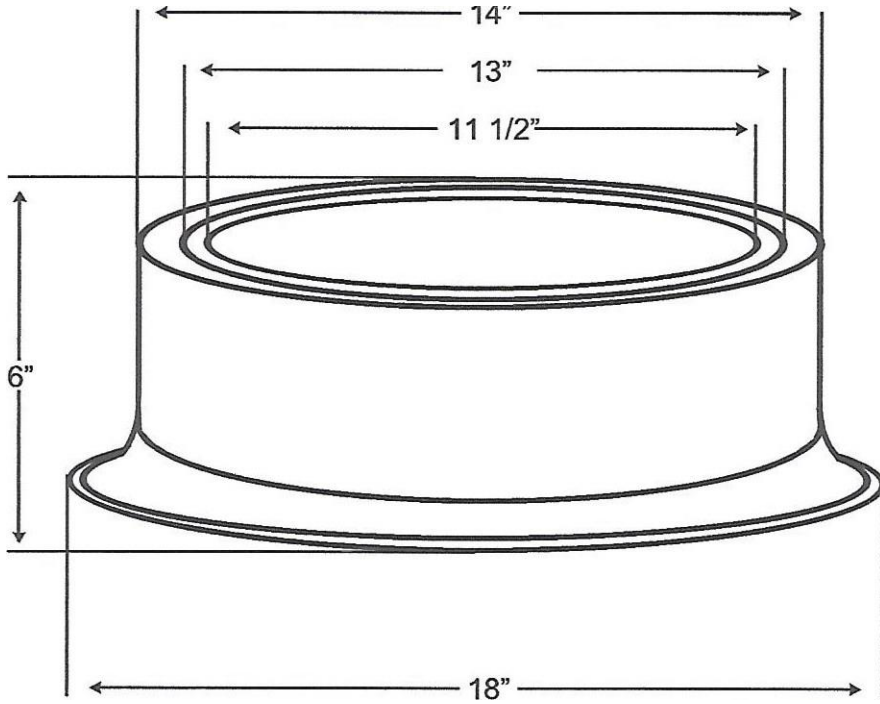
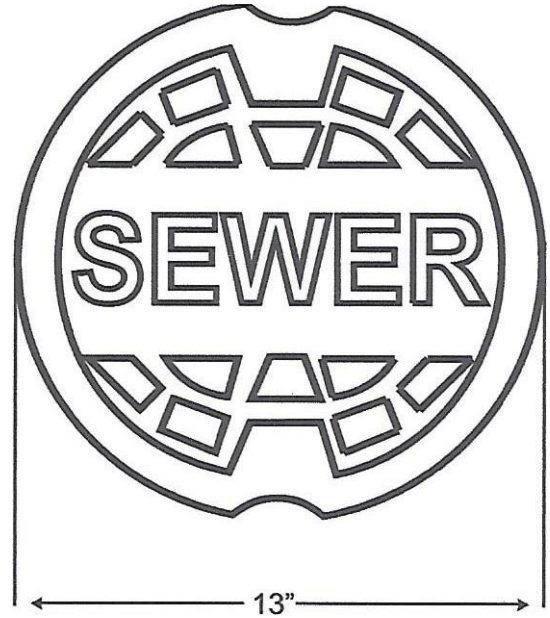


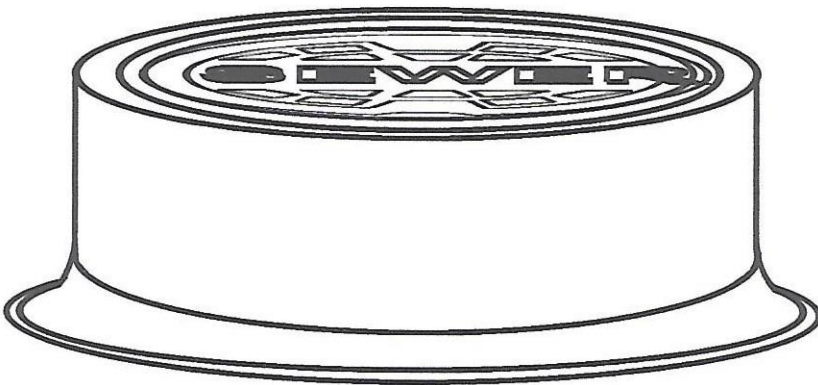
Frame



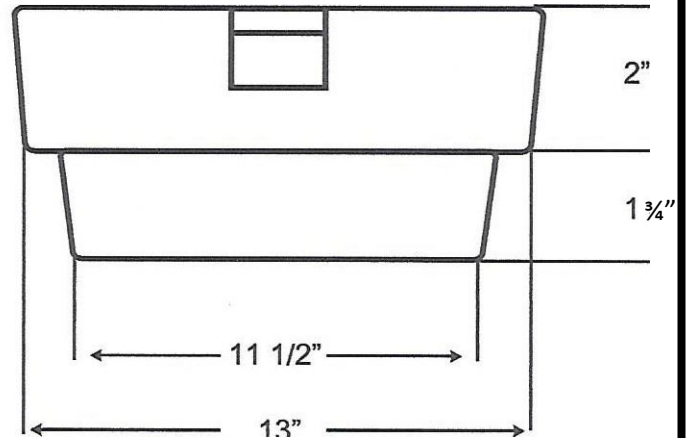
Lid Top View



Complete Set



Lid Side View



12" Roadway Sewer Cleanout 6" High

Casting conforms to: ASTM specifications A-48 Class 30
Certified Tested to exceed H-20 Load Test Rating

CAST IRON & PLASTIC MANUFACTURING & SALES

3700 CLARKSTOWN ROAD, MUNCY, PA 17756 PHONE 570-546-2109 WEBSITE: CANDPMANUFACTURING.COM

SC100

