

LID TOP VIEW

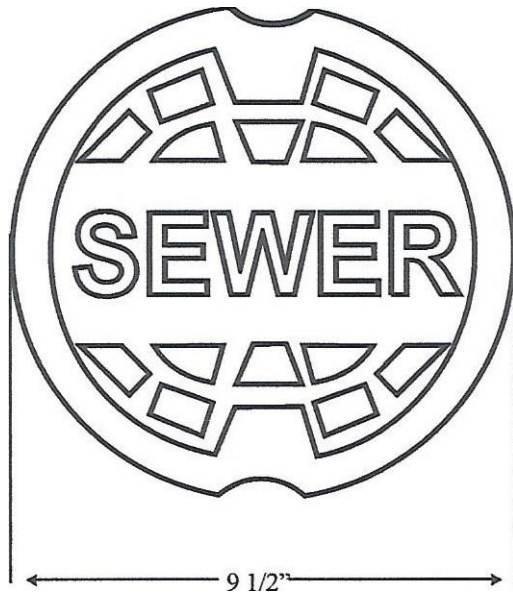
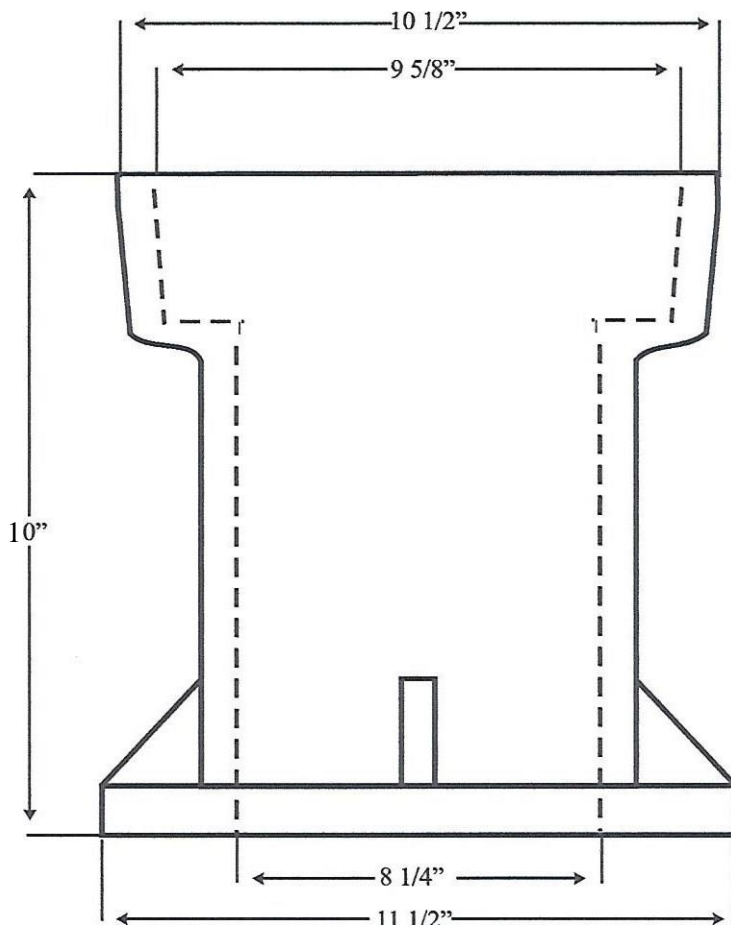
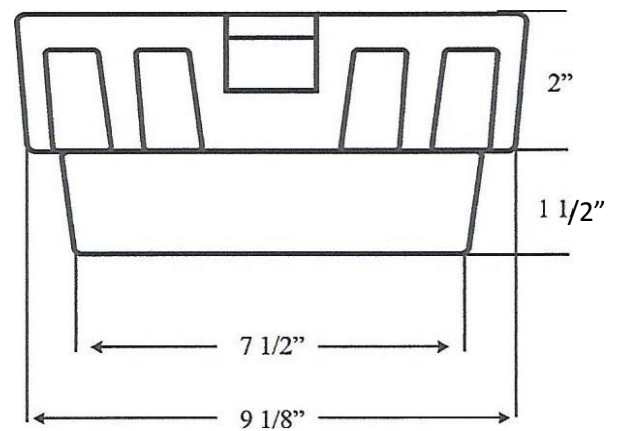


Figure #SC60 8" Roadway
Sewer Cleanout
10" High

Casting conforms to:
ASTM Specifications A-48 Class 30
Certified Tested to exceed H-20 Load Test Rating



LID SIDE VIEW



SC60

