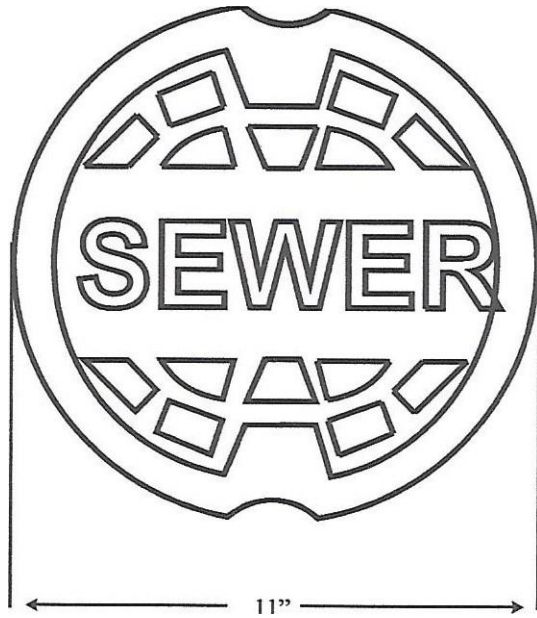
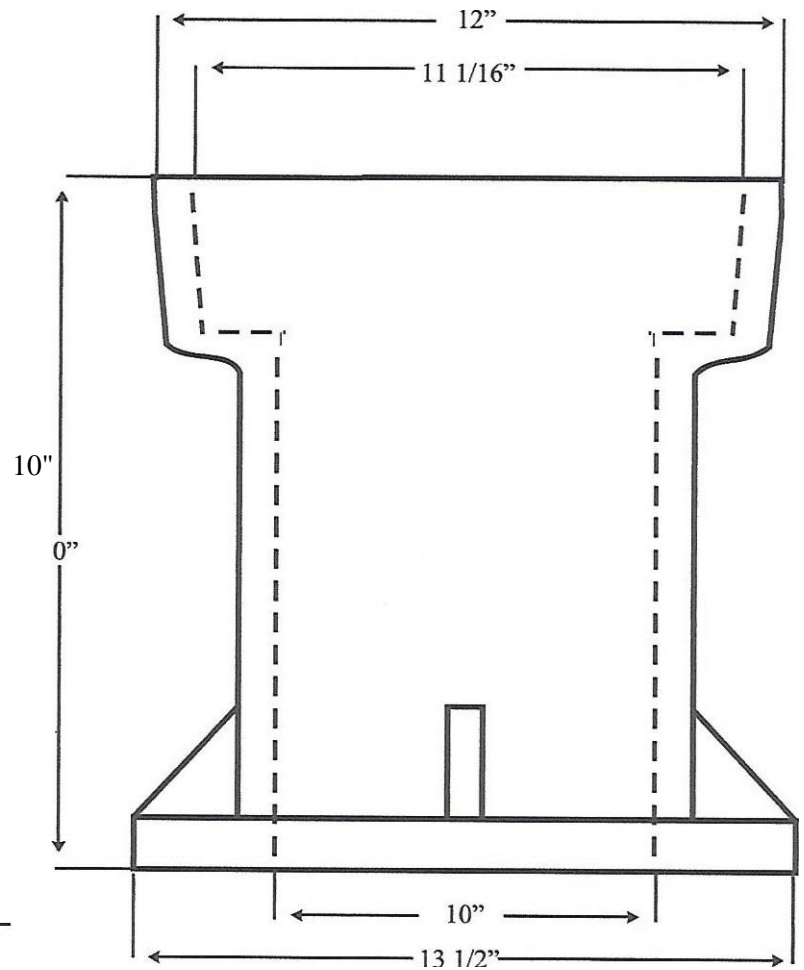
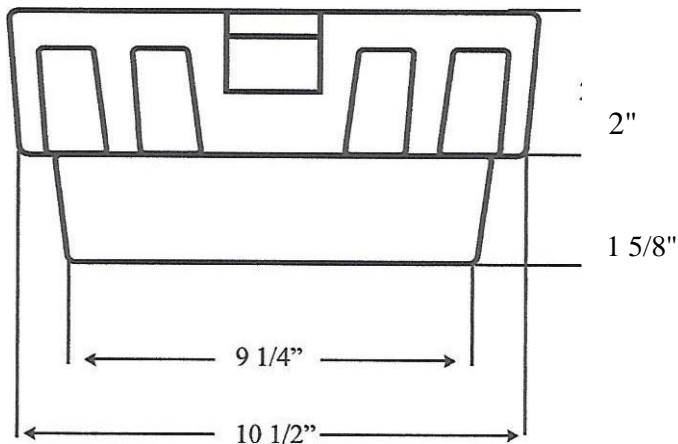


## Lid Top View



## Lid Side View



## Figure # SC80 10" Roadway Sewer Cleanout 10" High

Casting conforms to:  
ASTM specifications A-48 CLASS 30  
Certified Tested to exceed H-20 Load Test Rating