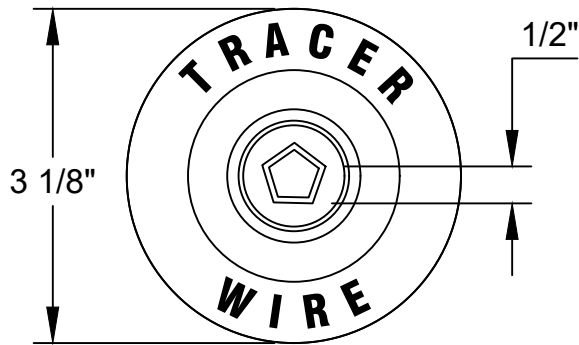
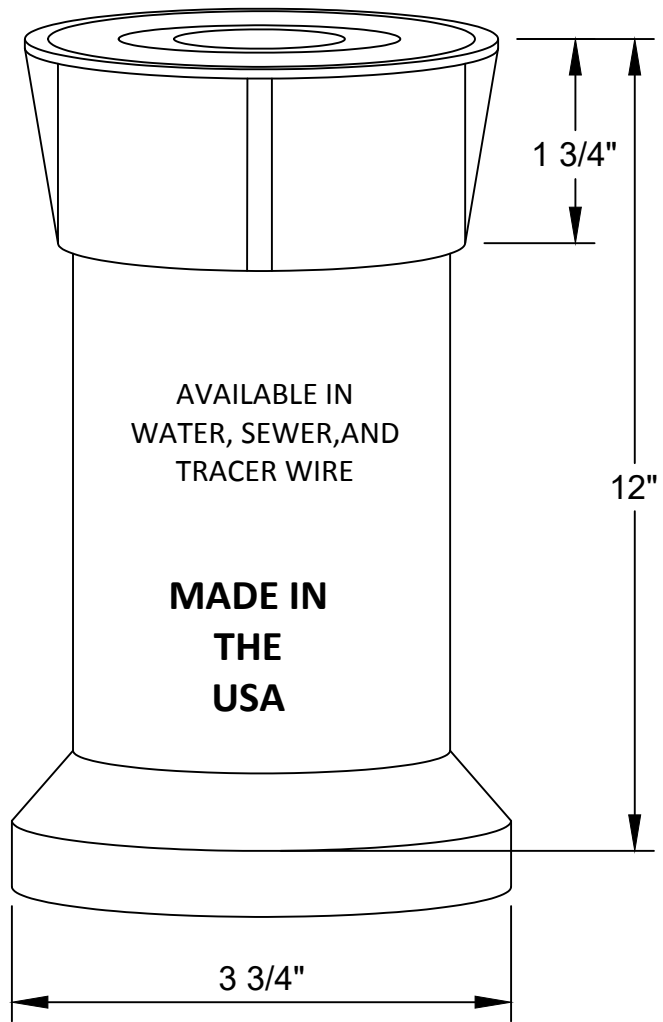


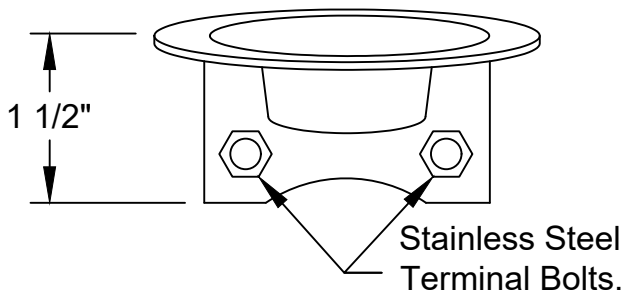
Lid Top View



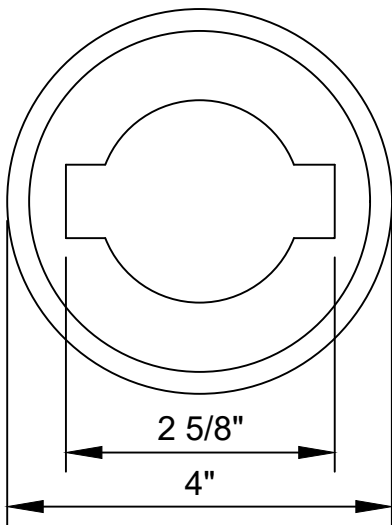
Complete Box Side View



Lid Side View



Collar Top View



## Tracer Wire Access Box (TWAB)

Casting conforms to:  
ASTM specification A-48 Class 30  
Country of Origin: USA

ABS conforms to:  
ASTM specification D1788  
Country of Origin: USA

[www.candpmanufacturing.com](http://www.candpmanufacturing.com)

CAST IRON & PLASTIC MANUFACTURING & SALES

3700 CLARKSTOWN ROAD

MUNCY, PA 17756

PHONE: (570) 546-2109

