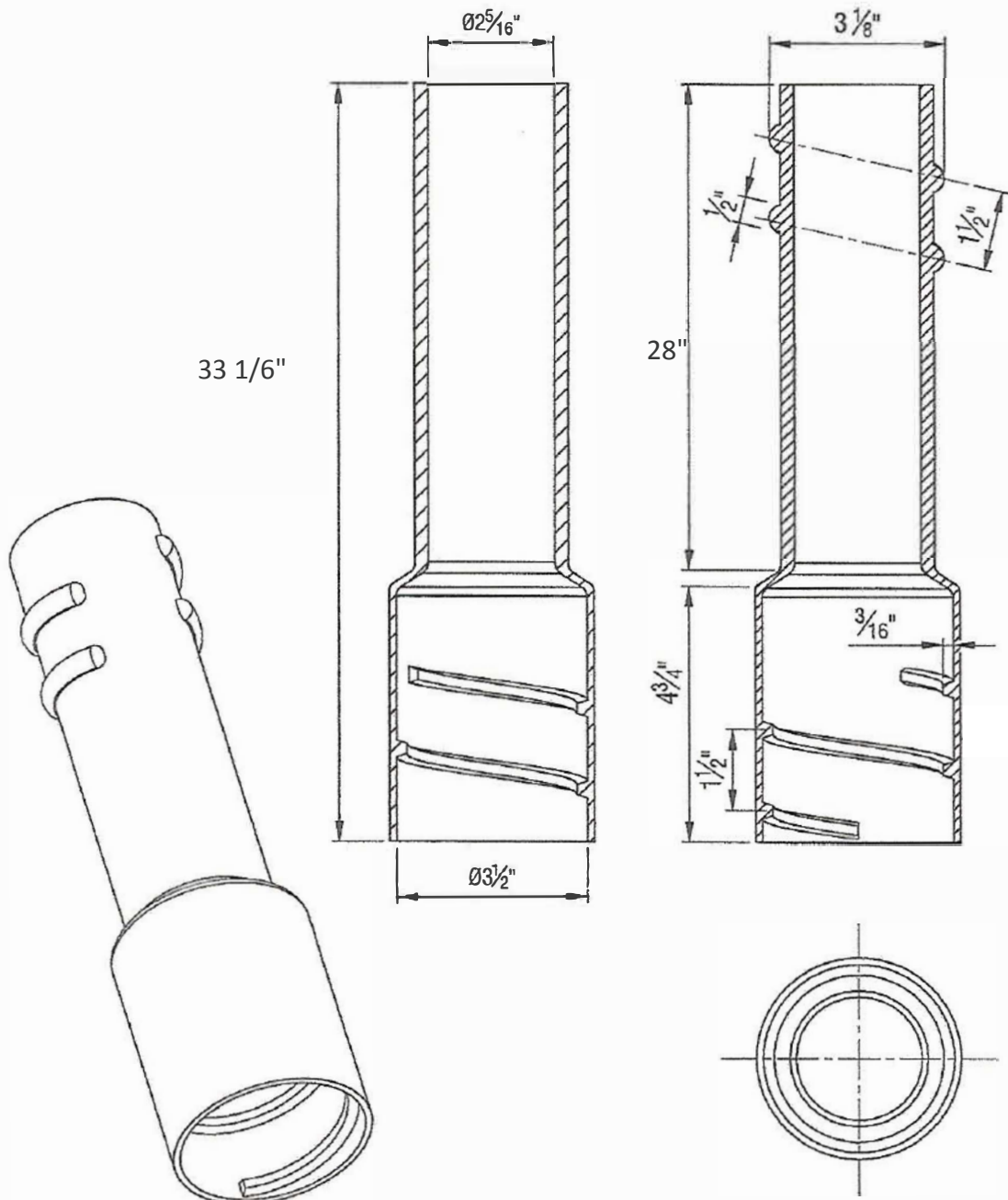


# 28" EXTENSION FOR 2 1/2" CURB BOX



MATERIAL :- ASTM A48 CLASS 30B

153EXT



CAST IRON & PLASTIC MANUFACTURING & SALES

3700 CLARKSTOWN ROAD, MUNCY, PA 17756 PHONE 570-546-2109 WEBSITE: [CANDPMANUFACTURING.COM](http://CANDPMANUFACTURING.COM)