



# 311 CURB BOX CAST IRON & PLASTIC ASSEMBLY

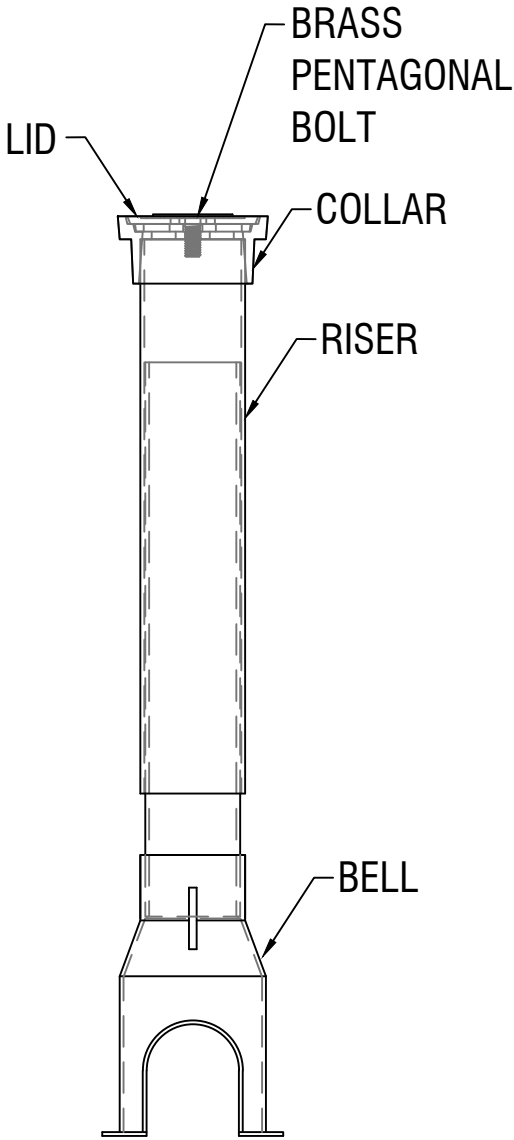
NOT TO SCALE

PART NUMBER	TOP SECTION	BOTTOM SECTION	EXTENSION RANGE
3111212PBSA	13"	19"	22" - 27"
3111818PBSA	19"	25"	30" - 42"
3112424PBSA	25"	31"	36" - 54"
3113030PBSA	31"	37"	42" - 66"
3113636PBSA	37"	43"	48" - 78"
3114848PBSA	49"	55"	60" - 102"

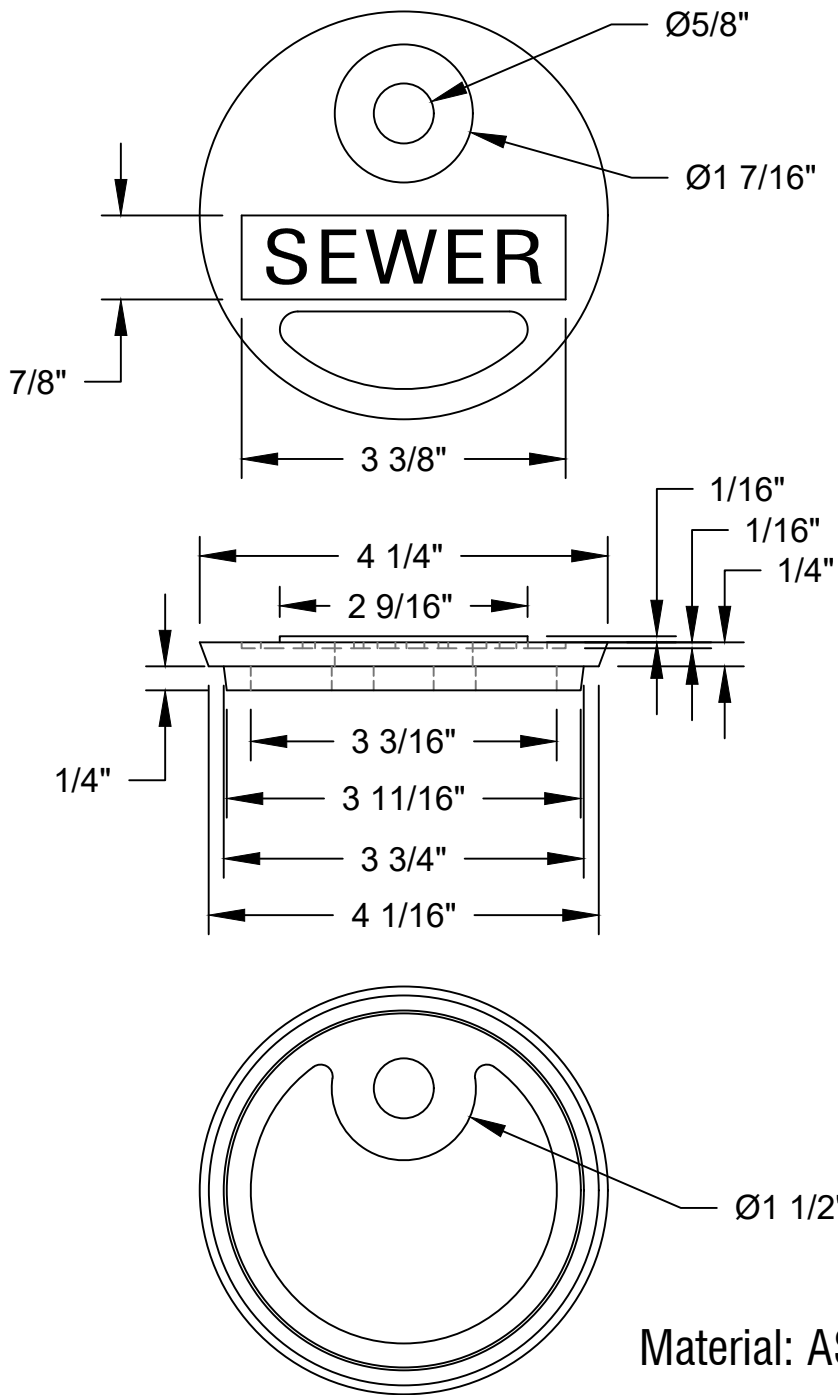
SEE ATTACHED SHEETS FOR COMPONENT SPECIFICATIONS.

**OPTIONS:**

1. Add "S" to part number for Sewer lid.  
Example: 3111212PBSAS
2. Enlarged Base, change SA to EA  
Example: 3111212PBEA



**CAST IRON & PLASTIC MANUFACTURING & SALES**  
 3700 CLARKSTOWN ROAD  
 MUNCY, PA 17756  
 PHONE: (570) 546-2109



# 311 LID

NOT TO SCALE

Material: ASTM A48 Class 30B

OPTIONS: Available in SEWER, WATER, GAS, or plain lid.

CAST IRON & PLASTIC MANUFACTURING & SALES

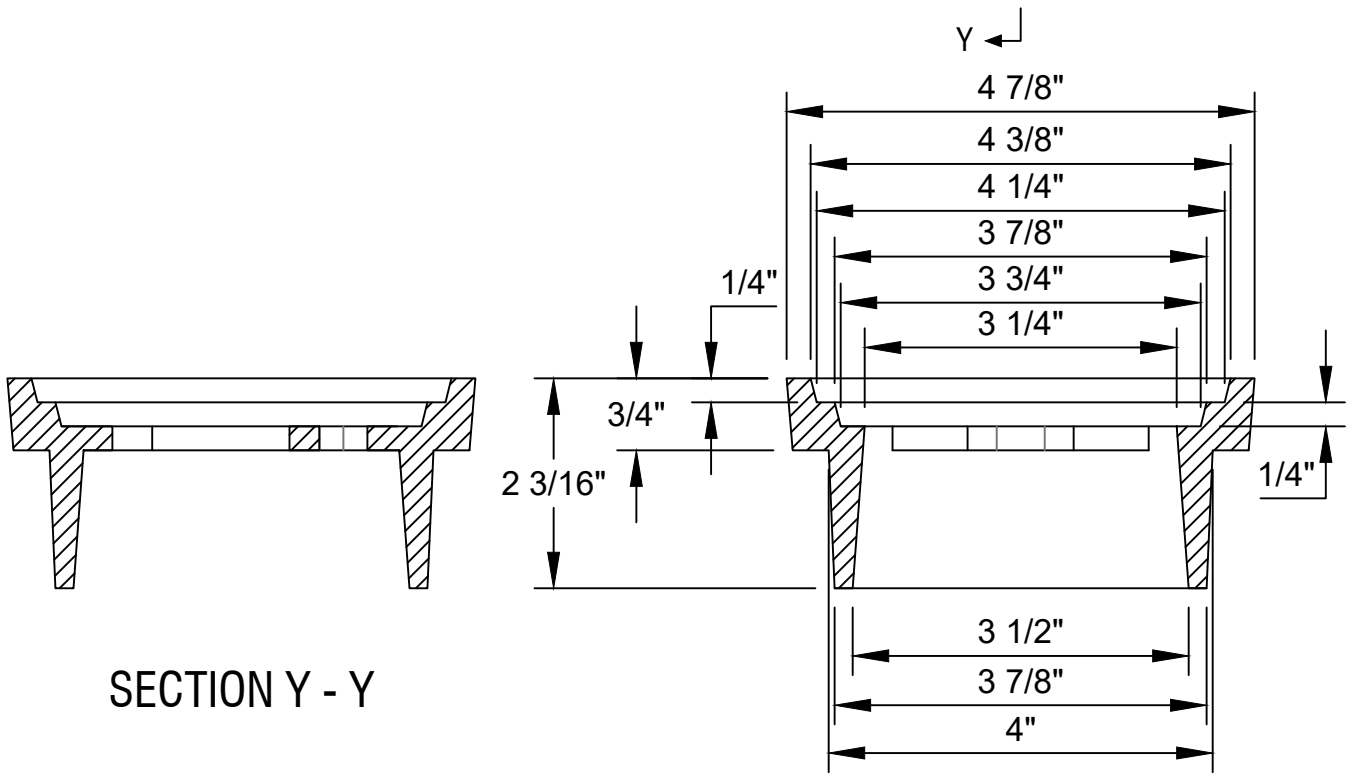
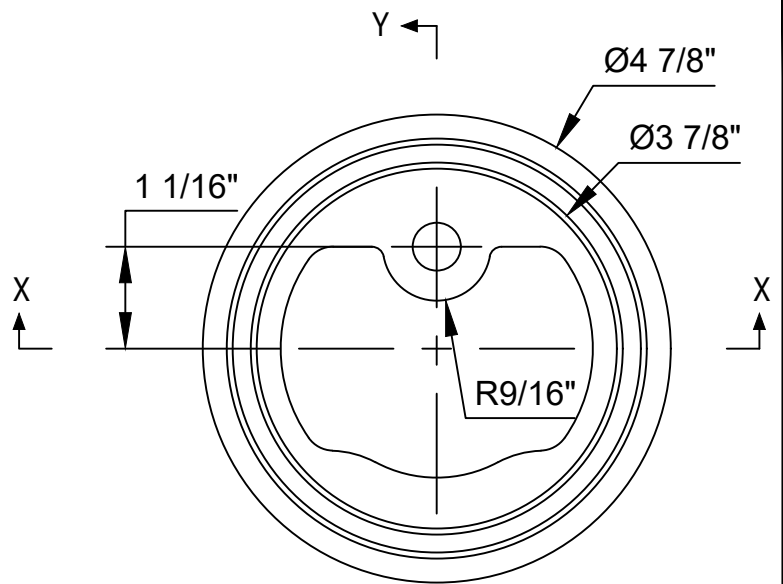
3700 CLARKSTOWN ROAD

MUNCY, PA 17756

PHONE: (570) 546-2109



Material: ASTM A48 Class 30B



SECTION Y - Y

SECTION X - X

# 311 COLLAR

NOT TO SCALE

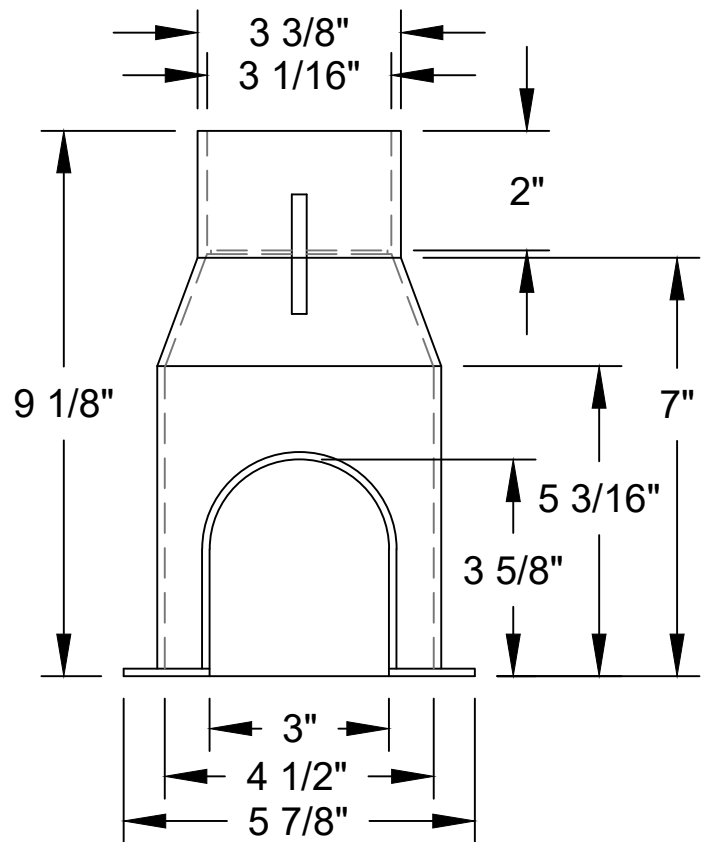
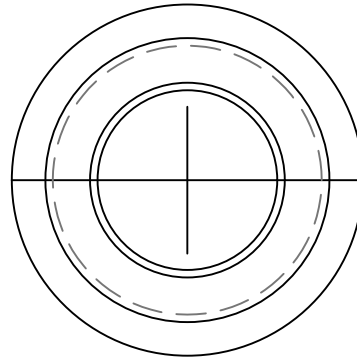
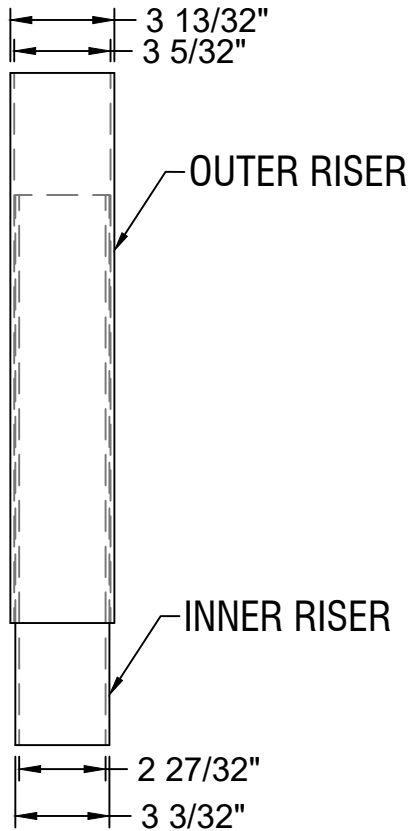
CAST IRON & PLASTIC MANUFACTURING & SALES

3700 CLARKSTOWN ROAD

MUNCY, PA 17756

PHONE: (570) 546-2109





## 311 RISER

NOT TO SCALE

Riser material: ABS pipe.

Bell material: ABS injection molded.

## 311 SA BELL

NOT TO SCALE

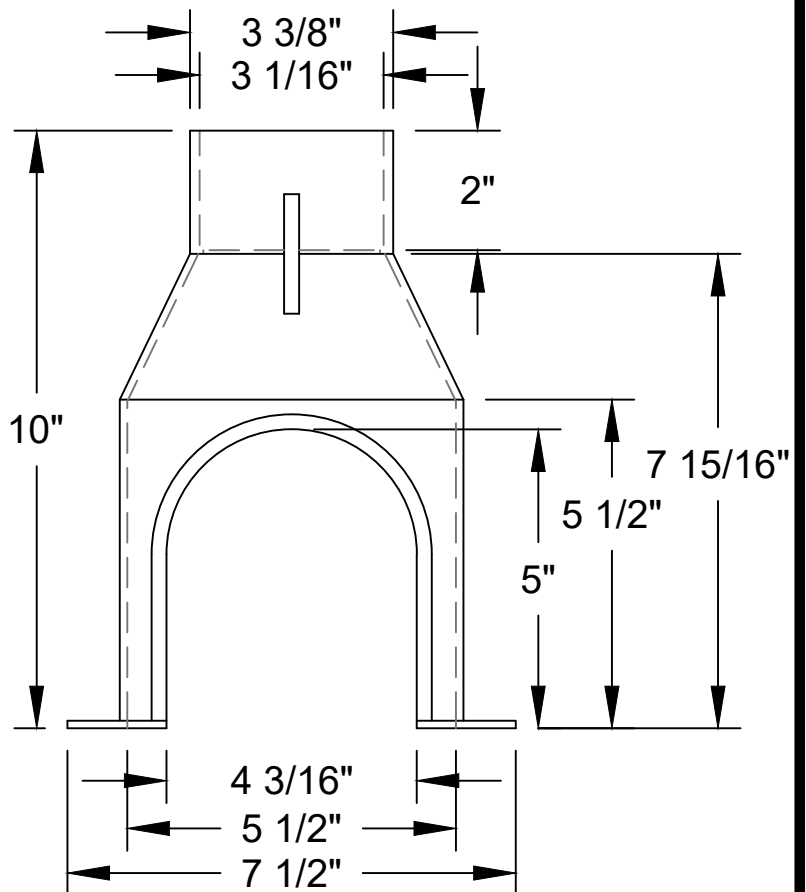
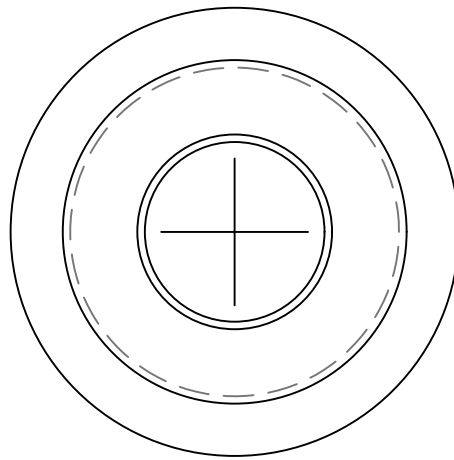
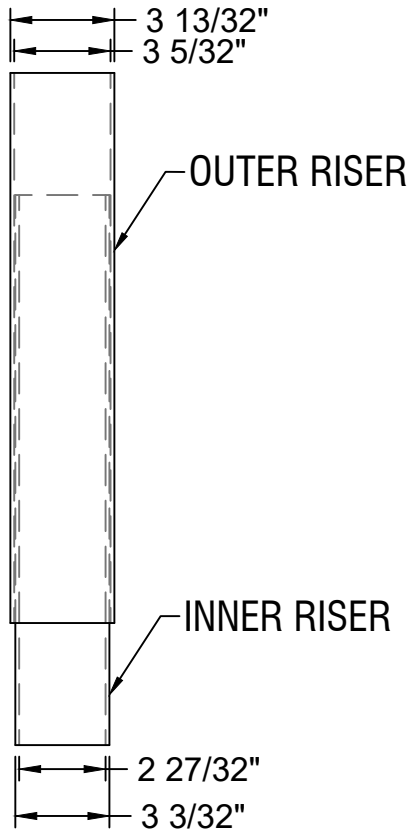
CAST IRON & PLASTIC MANUFACTURING & SALES

3700 CLARKSTOWN ROAD

MUNCY, PA 17756

PHONE: (570) 546-2109





## 311 RISER

NOT TO SCALE

Riser material: ABS pipe.

Bell material: ABS injection molded.

## 311 EA BELL

NOT TO SCALE

CAST IRON & PLASTIC MANUFACTURING & SALES

3700 CLARKSTOWN ROAD

MUNCY, PA 17756

PHONE: (570) 546-2109

