

Complete Box Side View

AVAILABLE IN  
WATER, SEWER  
AND GAS LID

13"

20"

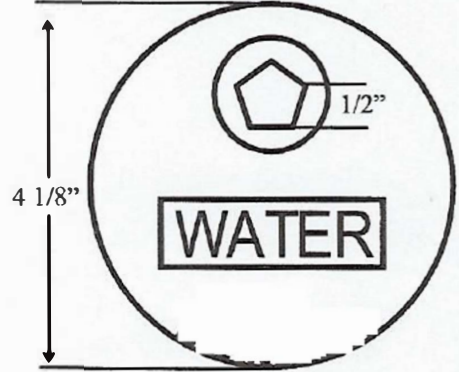
5 3/4"

5"

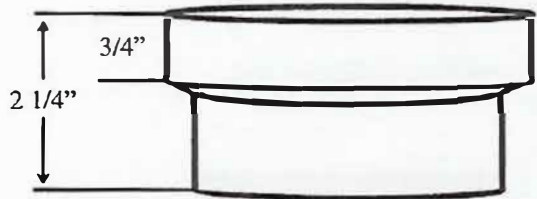
4"

6 1/2"

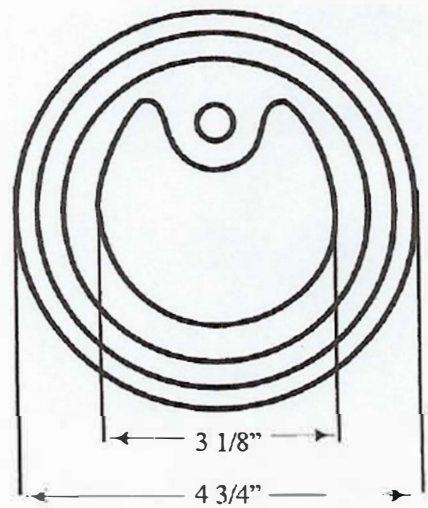
Lid Top View



Collar Side View



Collar Top View



**Figure # 3111212PBEB**  
**3" Curb Box Complete**  
**Extension Range 18" - 30"**  
**Combination Cast Iron/ABS**  
**Slip Type**  
**Enlarged Arch**

Casting conforms to:  
ASTM specifications A-48 Class 25

ABS conforms to:  
ASTM-D 1788



**CAST IRON & PLASTIC MANUFACTURING & SALES**

3700 CLARKSTOWN ROAD, MUNCY, PA 17756 PHONE 570-546-2109 WEBSITE: [CANDPMANUFACTURING.COM](http://CANDPMANUFACTURING.COM)