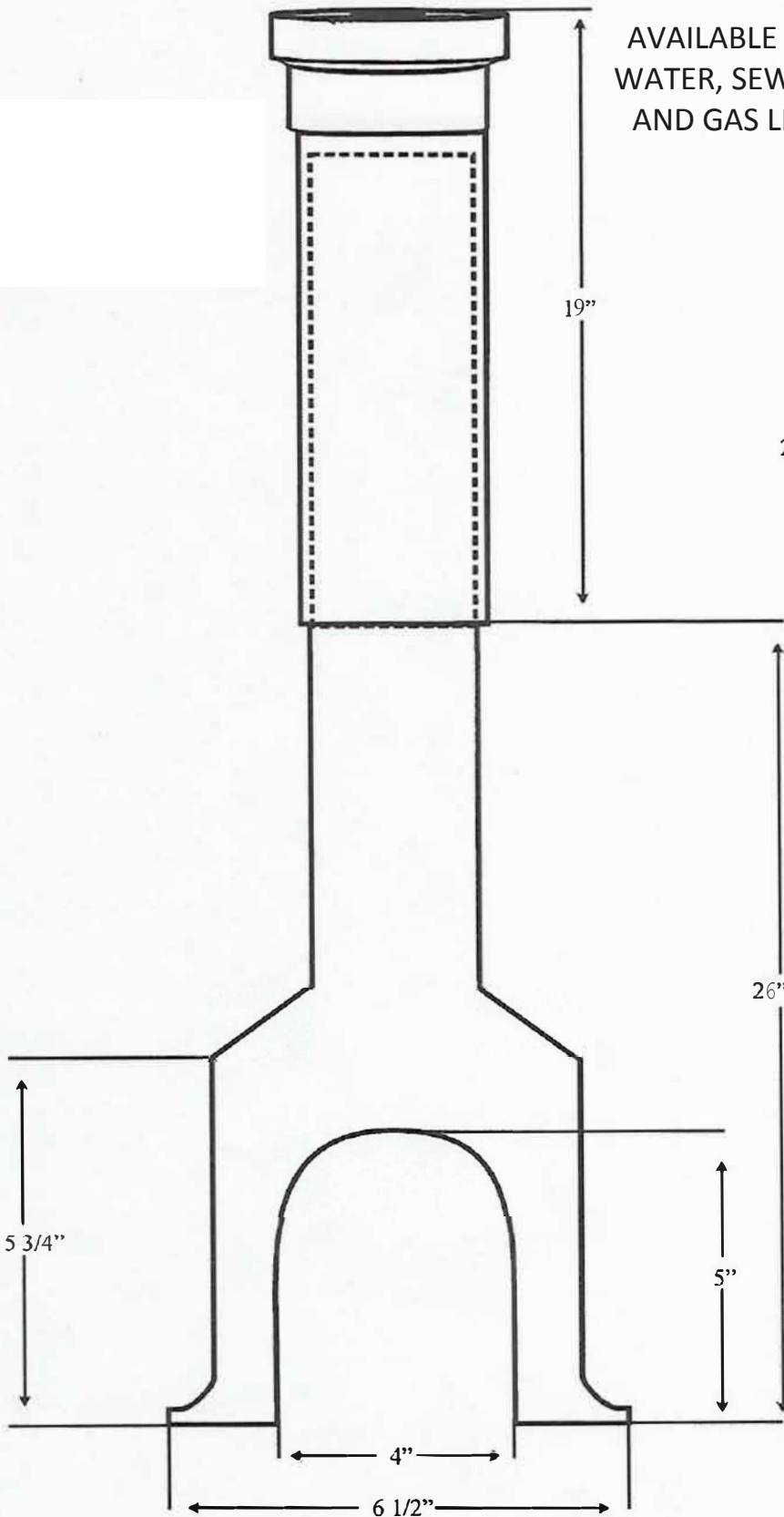
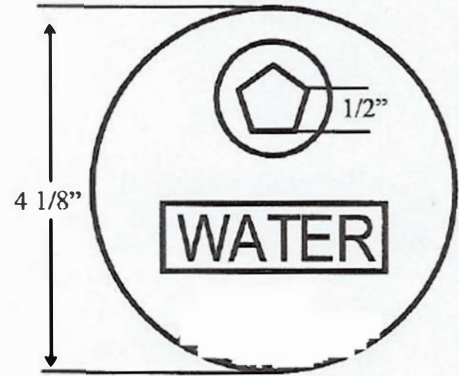


Complete Box Side View

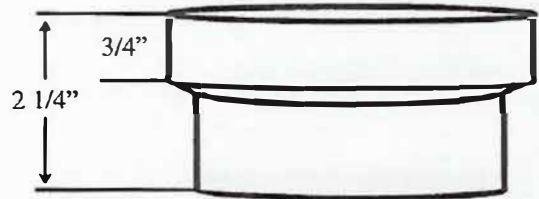
AVAILABLE IN  
WATER, SEWER  
AND GAS LID



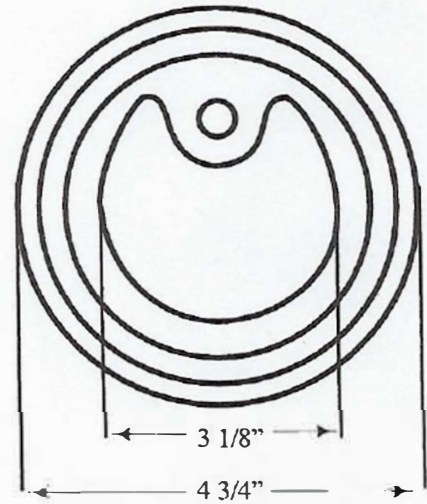
Lid Top View



Collar Side View



Collar Top View



**Figure # 311818PBEB**  
**3" Curb Box Complete**  
**Extension Range 30" - 42"**  
**Combination Cast Iron/ABS**  
**Slip Type**  
**Enlarged Arch**

Casting conforms to:  
ASTM specifications A-48 Class 25

ABS conforms to:  
ASTM-D 1788



**CAST IRON & PLASTIC MANUFACTURING & SALES**

**3700 CLARKSTOWN ROAD, MUNCY, PA 17756 PHONE 570-546-2109 WEBSITE: CANDPMANUFACTURING.COM**