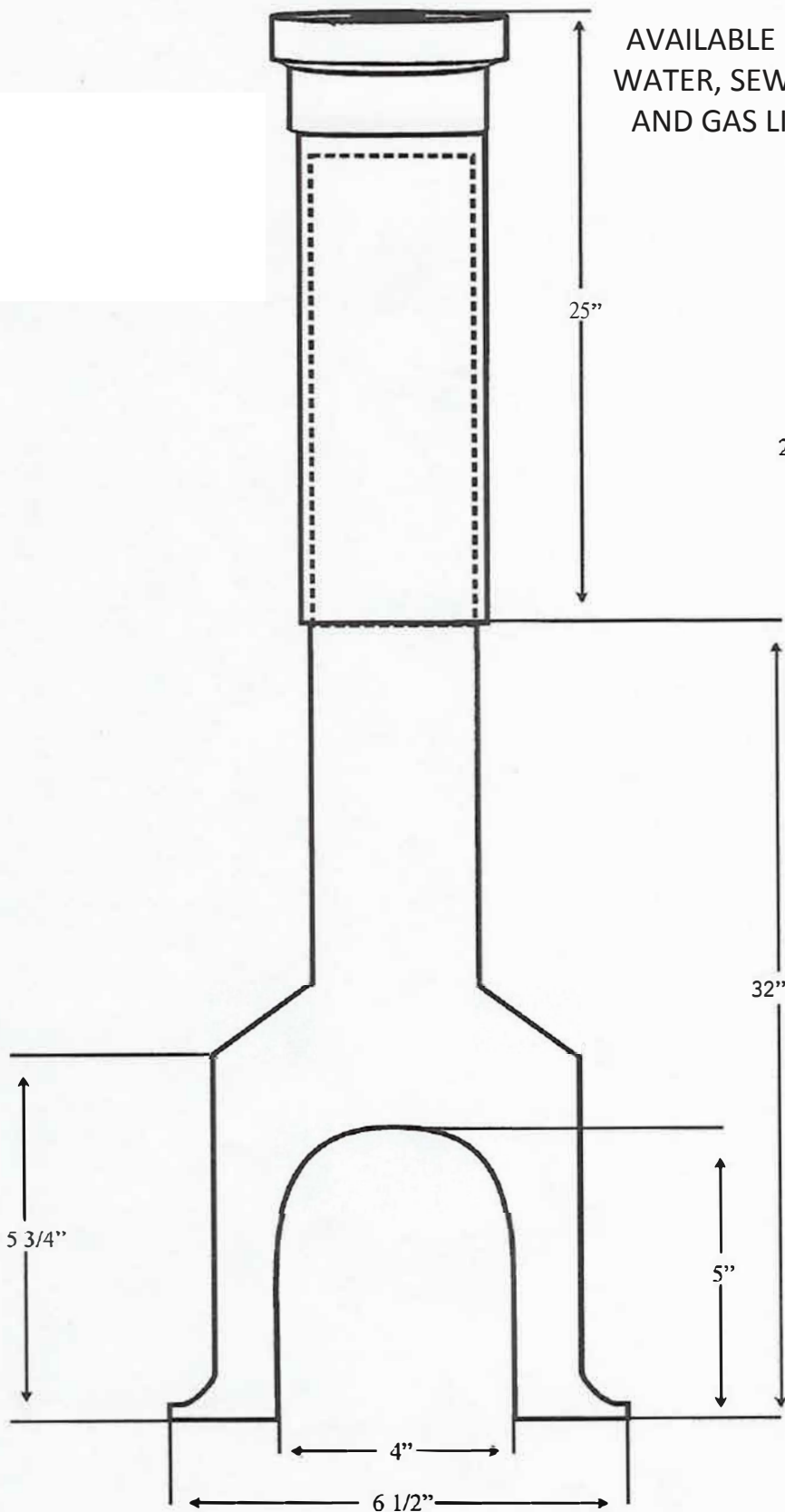
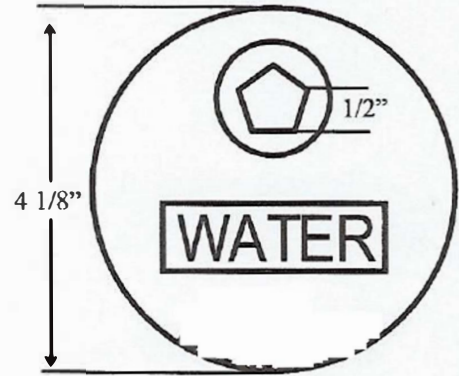


Complete Box Side View

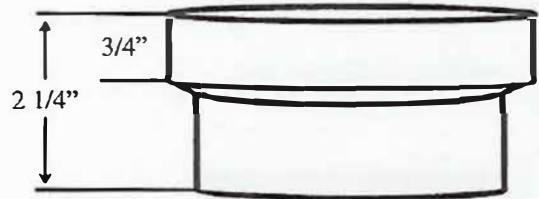


AVAILABLE IN
WATER, SEWER
AND GAS LID

Lid Top View



Collar Side View



Collar Top View

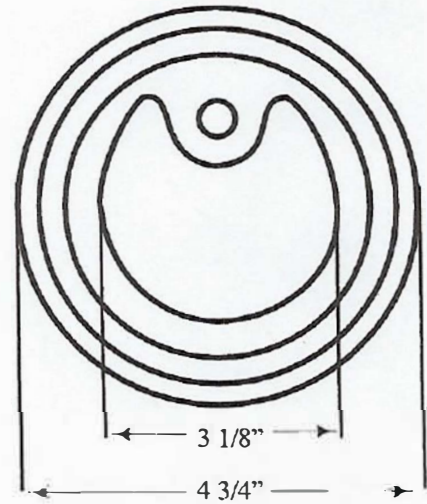


Figure # 3112424PBEB
3" Curb Box Complete
Extension Range 36" - 54"
Combination Cast Iron/ABS
Slip Type
Enlarged Arch

Casting conforms to:
ASTM specifications A-48 Class 25

ABS conforms to:
ASTM-D 1788

