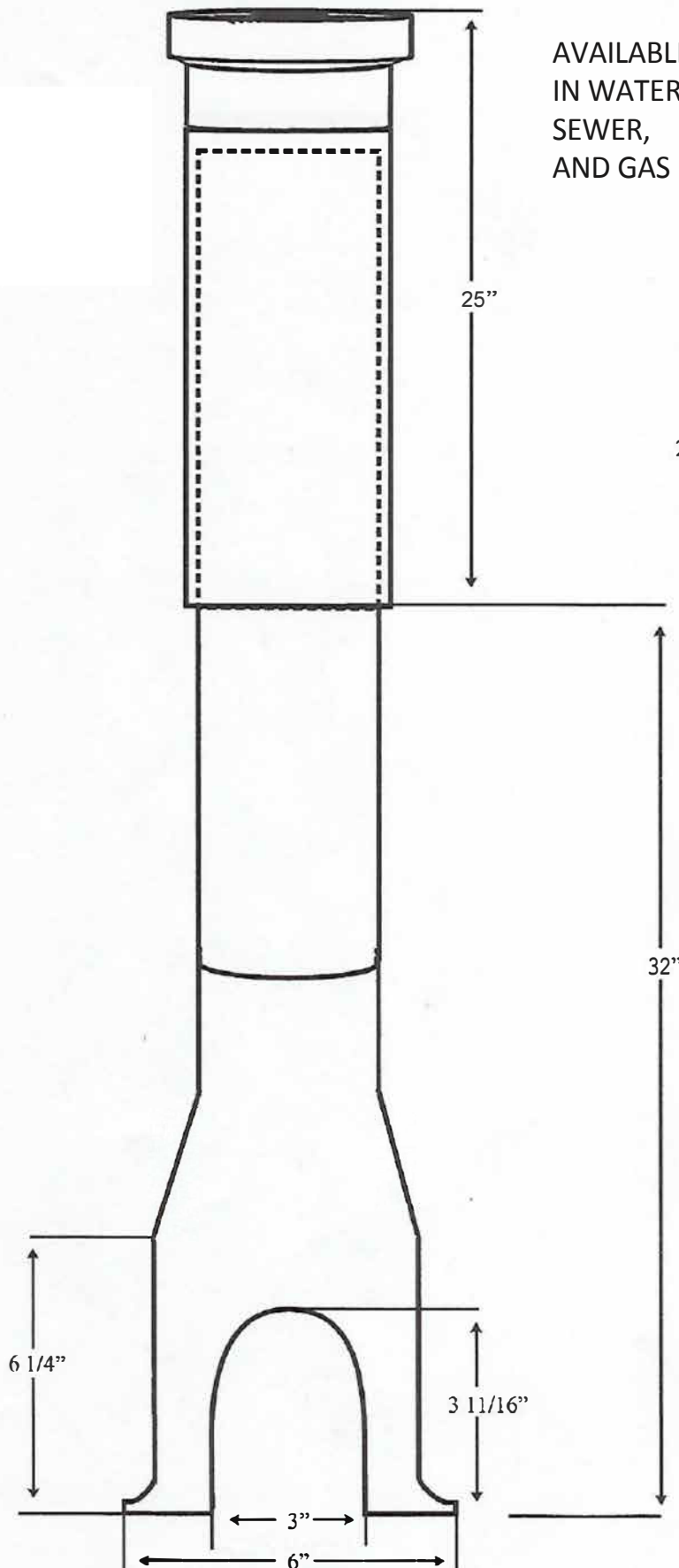
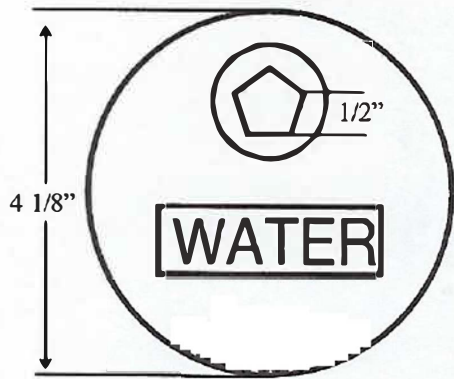


Complete Box Side View

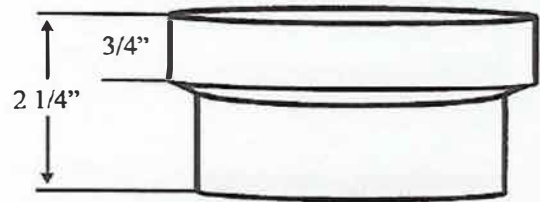


AVAILABLE
IN WATER,
SEWER,
AND GAS

Lid Top View



Collar Side View



Collar Top View

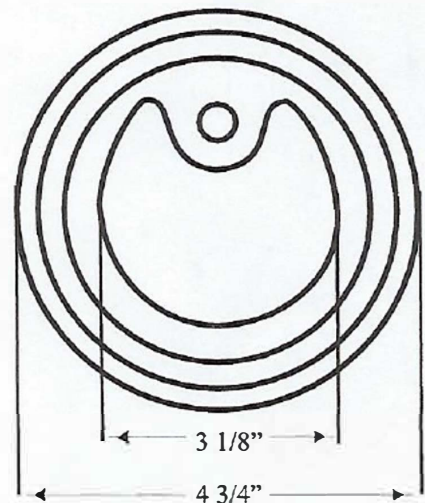


Figure # 3112424PBSA
3" Curb Box Complete Extension
Range 34" - 53"
Combination Cast Iron/ABS Slip
Type

Standard Arch

Casting conforms to:
 ASTM specifications A-48 Class 25

ABS conforms to:
 ASTM-D 1788

