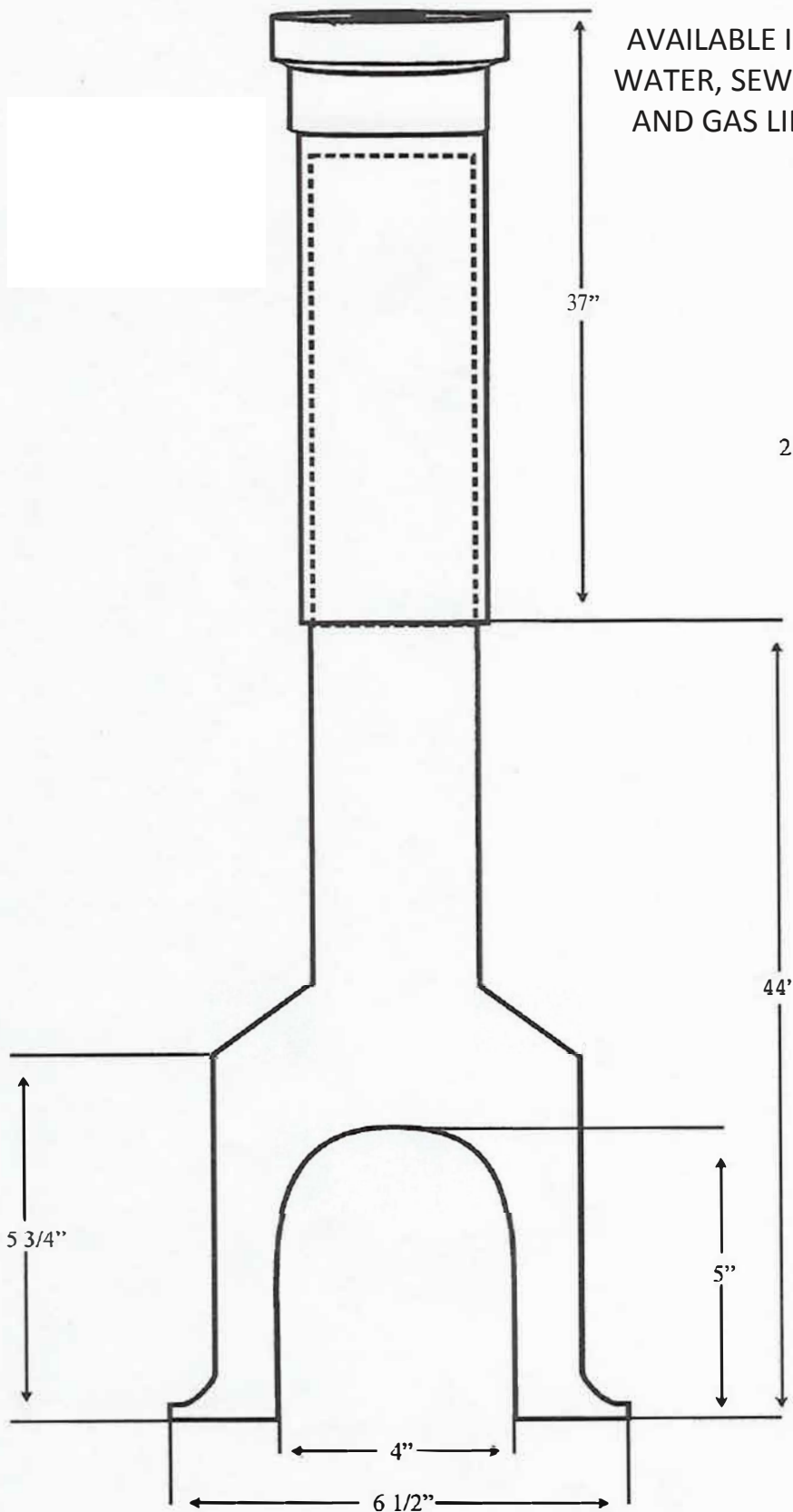
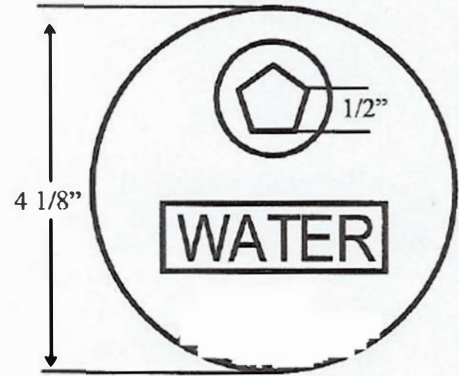


Complete Box Side View

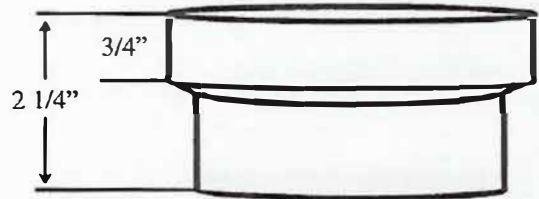


AVAILABLE IN  
WATER, SEWER  
AND GAS LID

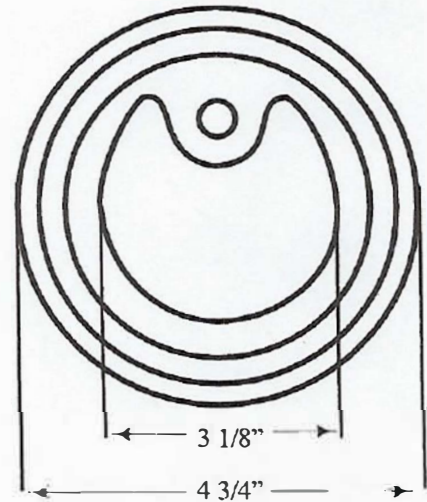
Lid Top View



Collar Side View



Collar Top View



**Figure # 3113636PBEB**  
**3" Curb Box Complete**  
**Extension Range 48" - 78"**  
**Combination Cast Iron/ABS**  
**Slip Type**  
**Enlarged Arch**

Casting conforms to:  
ASTM specifications A-48 Class 25

ABS conforms to: ASTM-D 1788

