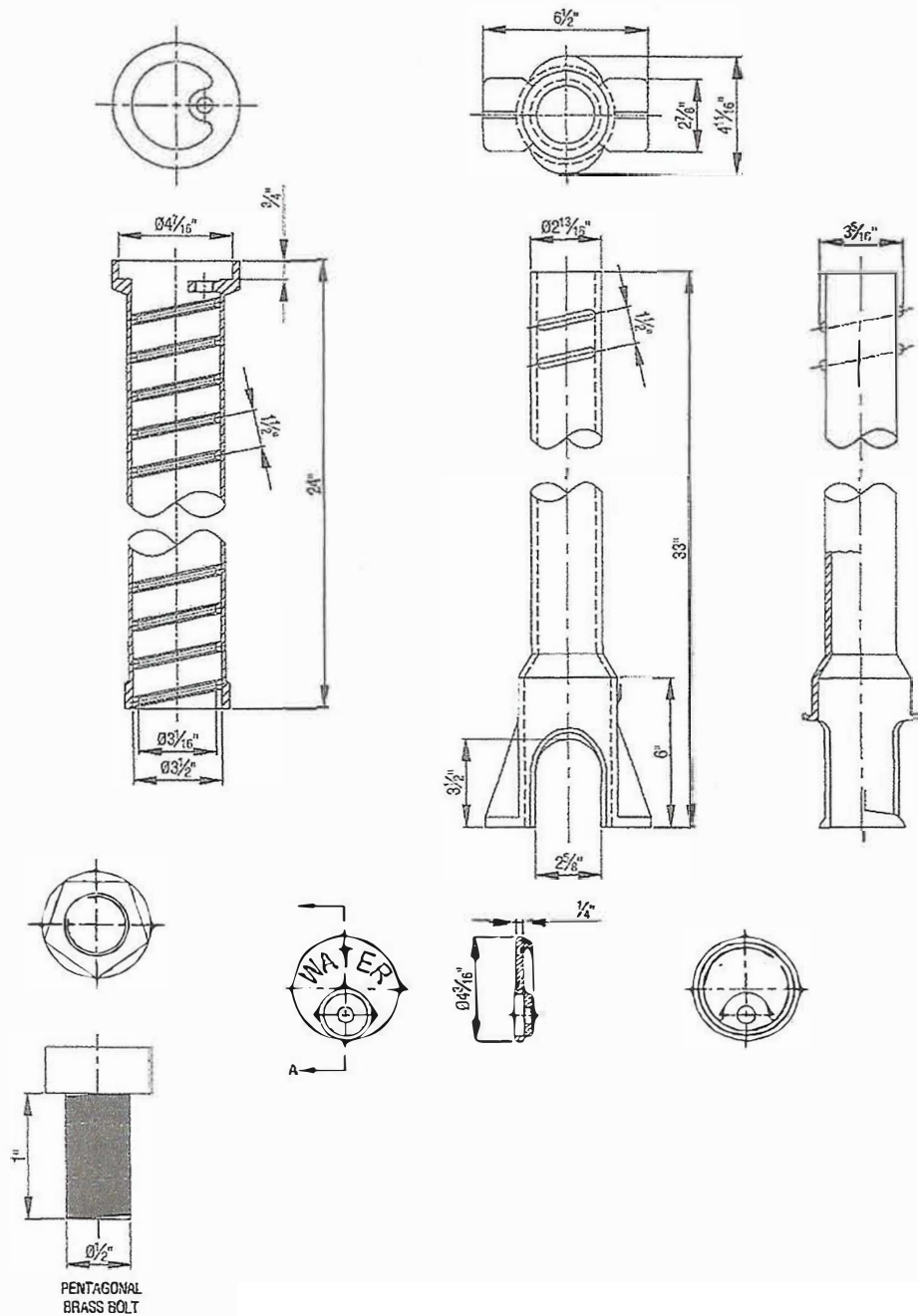


2 1/2" STD ARCH CURB BOX FLUSH WATER LID BRASS BOLT SCREW TYPE 24" TOP 33" BOTTOM



MATERIAL :- ASTM A48 CLASS 30B

93EC



CAST IRON & PLASTIC MANUFACTURING & SALES

3700 CLARKSTOWN ROAD, MUNCY, PA 17756 PHONE 570-546-2109 WEBSITE: CANDPMANUFACTURING.COM