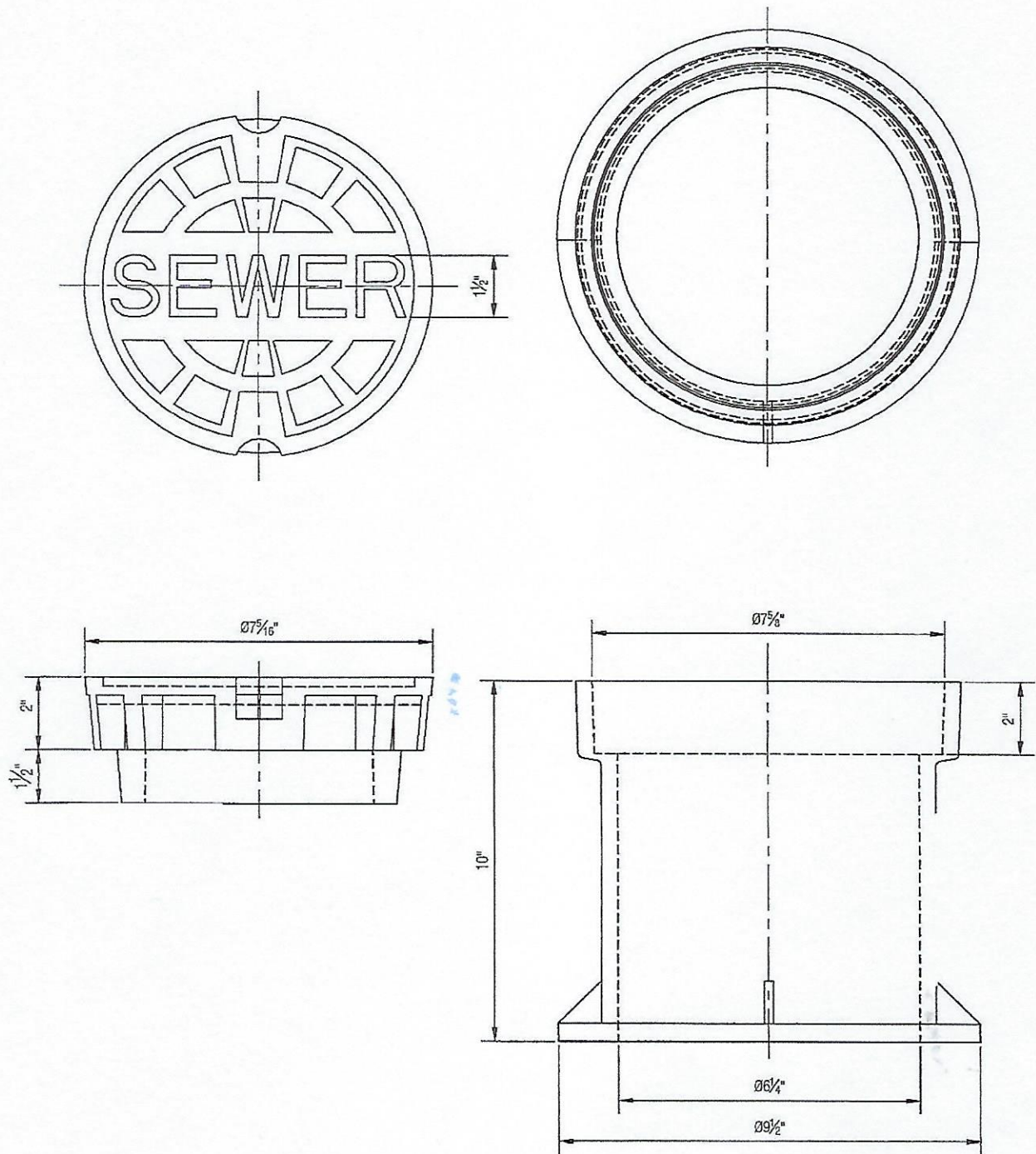


ROAD WAY SEWER CLEANOUT 8¹¹ HIGH



MATERIAL ASTM A48 CLASS 30B

SC40



CAST IRON & PLASTIC MANUFACTURING & SALES

3700 CLARKSTOWN ROAD, MUNCY, PA 17756 PHONE 570-546-2109 WEBSITE: CANDPMANUFACTURING.COM