



# CB1 REPAIR BOX

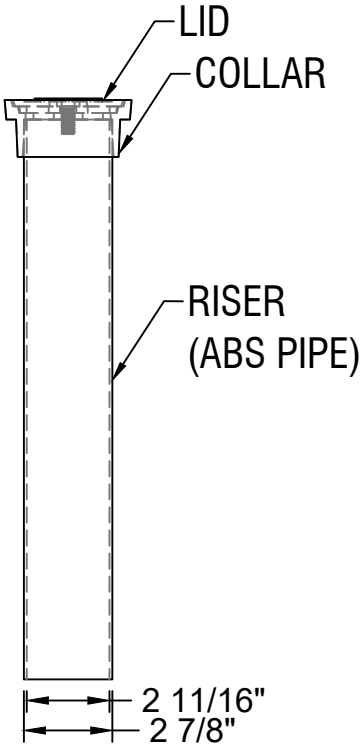
## CAST IRON & PLASTIC

### ASSEMBLY

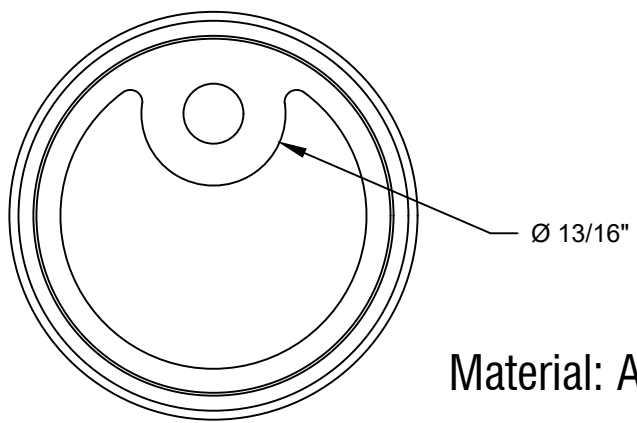
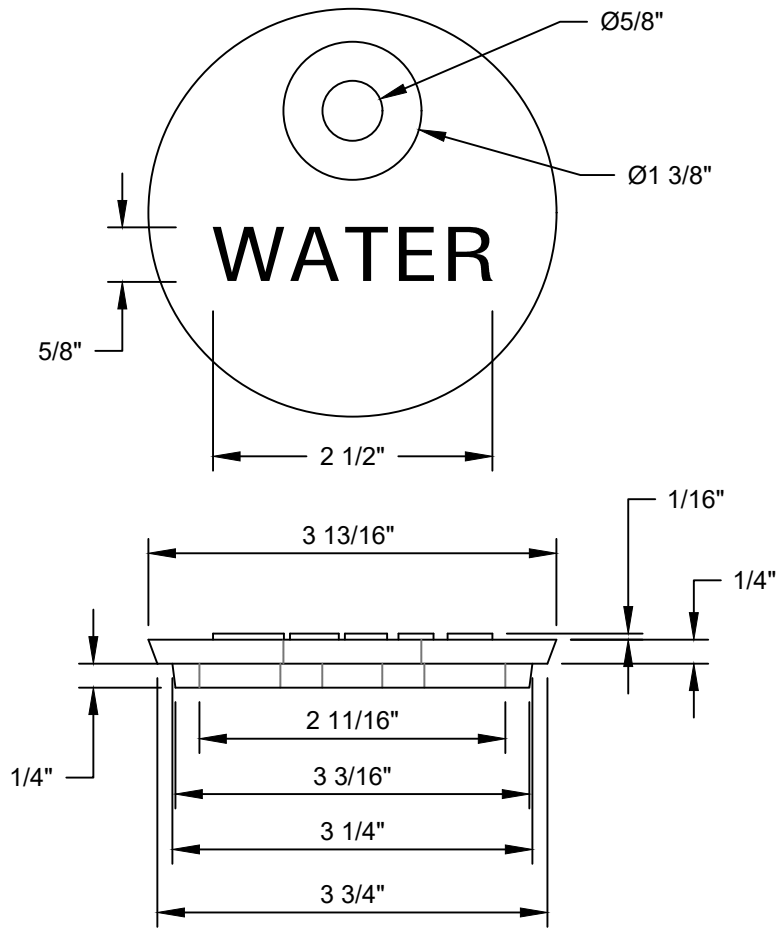
NOT TO SCALE

PART NUMBER	SECTION LENGTH
CB1-18	18"
CB1-24	24"
CB1-36	36"

SEE ATTACHED SHEETS FOR COMPONENT SPECIFICATIONS.



CAST IRON & PLASTIC MANUFACTURING & SALES  
 3700 CLARKSTOWN ROAD  
 MUNCY, PA 17756  
 PHONE: (570) 546-2109



Material: ASTM A48 Class 30B

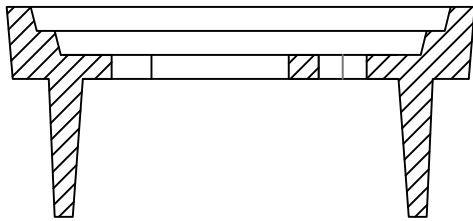
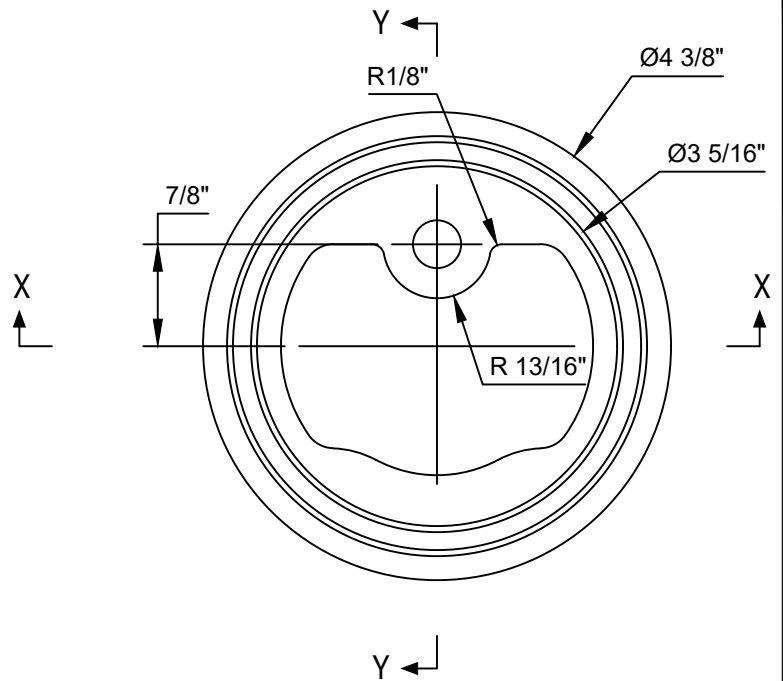
# CB1 LID

NOT TO SCALE

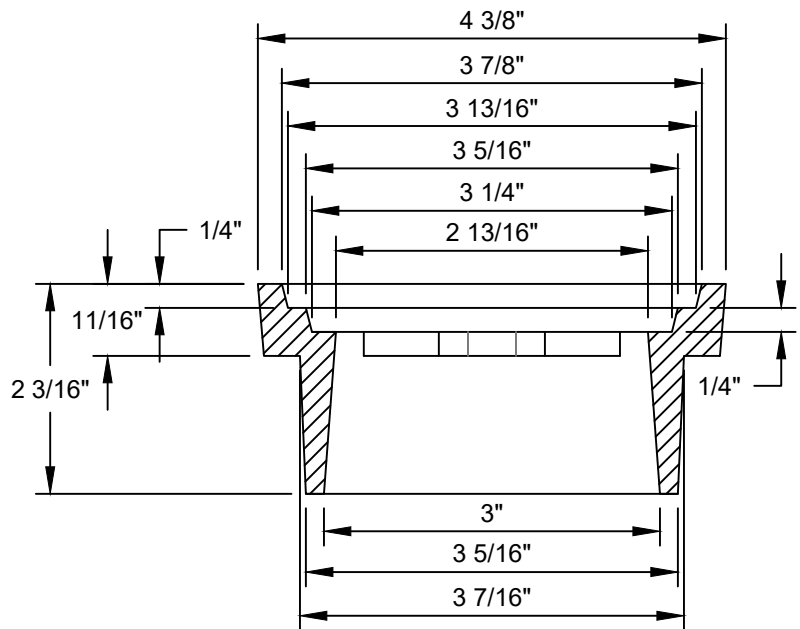
CAST IRON & PLASTIC MANUFACTURING & SALES  
 3700 CLARKSTOWN ROAD  
 MUNCY, PA 17756  
 PHONE: (570) 546-2109



Material: ASTM A48 Class 30B



SECTION Y - Y



SECTION X - X

# CB1 COLLAR

NOT TO SCALE

CAST IRON & PLASTIC MANUFACTURING & SALES

3700 CLARKSTOWN ROAD

MUNCY, PA 17756

PHONE: (570) 546-2109

